

4

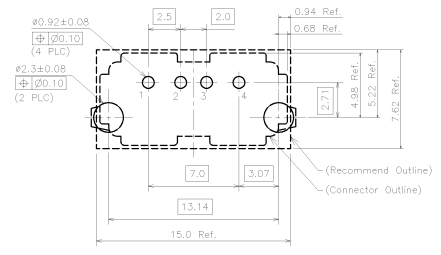
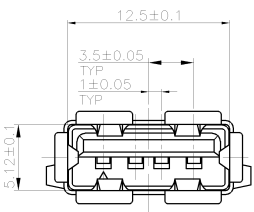
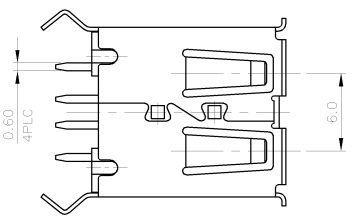
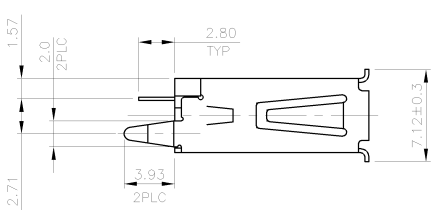
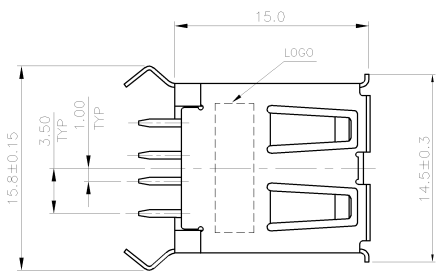
3

2

1

THIS DRAWING IS UNPUBLISHED. RELEASED FOR PUBLICATION
 © COPYRIGHT - BY TYCO ELECTRONICS CORPORATION. ALL RIGHTS RESERVED.

LOC	DIST	REVISIONS				
P	LTR	DESCRIPTION	DATE	DWN	APVD	
	C	REVISED (ECO-11-013077)	23JUN11	JC	WK	



RECOMMENDED P.C. BOARD LAYOUT(T=1.6)
(TOP VIEW)(TOLERANCE:±0.05)

- NOTE:
- MATERIAL:
HOUSING: THERMOPLASTIC(PBT), UL 94V-0, COLOR:SEE TABLE.
CONTACTS: PHOSPHOR BRONZE. THICKNESS=0.25
SHELL: BRASS. THICKNESS=0.30
 - FINISH:
CONTACTS: GOLD FLASH OVER
0.762µm [30µ"] MIN. PALLADIUM-NICKEL PLATED ON CONTACT AREA,
2.54µm [100µ"] MIN. MATTE-TIN ON SOLDER TAILS,
1.27µm [50µ"] MIN. NICKEL UNDERPLATED ALL OVER.
SHELL: 2.54µm [100µ"] MIN. TIN PLATED OVER
1.27µm [50µ"] MIN. NICKEL UNDERPLATED
 - WAVE SOLDER CAPABLE TO 265°C PER TEST SPEC.
109-202, CONDITION B.
 - HOUSING MIGHT BE MELTED AFTER DIFFERENT CUSTOMER WAVE SOLDERING PROCESS.

SEE SHEET 3	BLACK	1734366-4
	BLUE	1734366-3
SEE SHEET 2	WHITE	1734366-2
	BLACK	1734366-1
PACKING	HSG'S COLOR	PART NUMBER

THIS DRAWING IS A CONTROLLED DOCUMENT.		DWN S. CHIEN 19SEP2008	19SEP2008	
DIMENSIONS: MM		CHK S. CHIEN 19SEP2008	NAME	
TOLERANCES UNLESS OTHERWISE SPECIFIED: 0 PLC ± 0.38 1 PLC ± 0.25 2 PLC ± 0.13 3 PLC ± 0.05 4 PLC ± - ANGLES ± 2°		APVD W. KODAMA 19SEP2008	RECEPT ASSY, VERTICAL, 4POSITION THRU-HOLE, TYPE A USB	
MATERIAL SEE NOTE		FINISH SEE NOTE	PRODUCT SPEC 108-57547	QUALIFICATION TEST REPORT 501-57635
		WEIGHT 1.82GRAMS	SIZE A3	CAGE CODE 00779
		CUSTOMER DRAWING	DRAWING NO C-1734366	RESTRICTED TO
		SCALE	SHEET 1 of 3	REV C

4

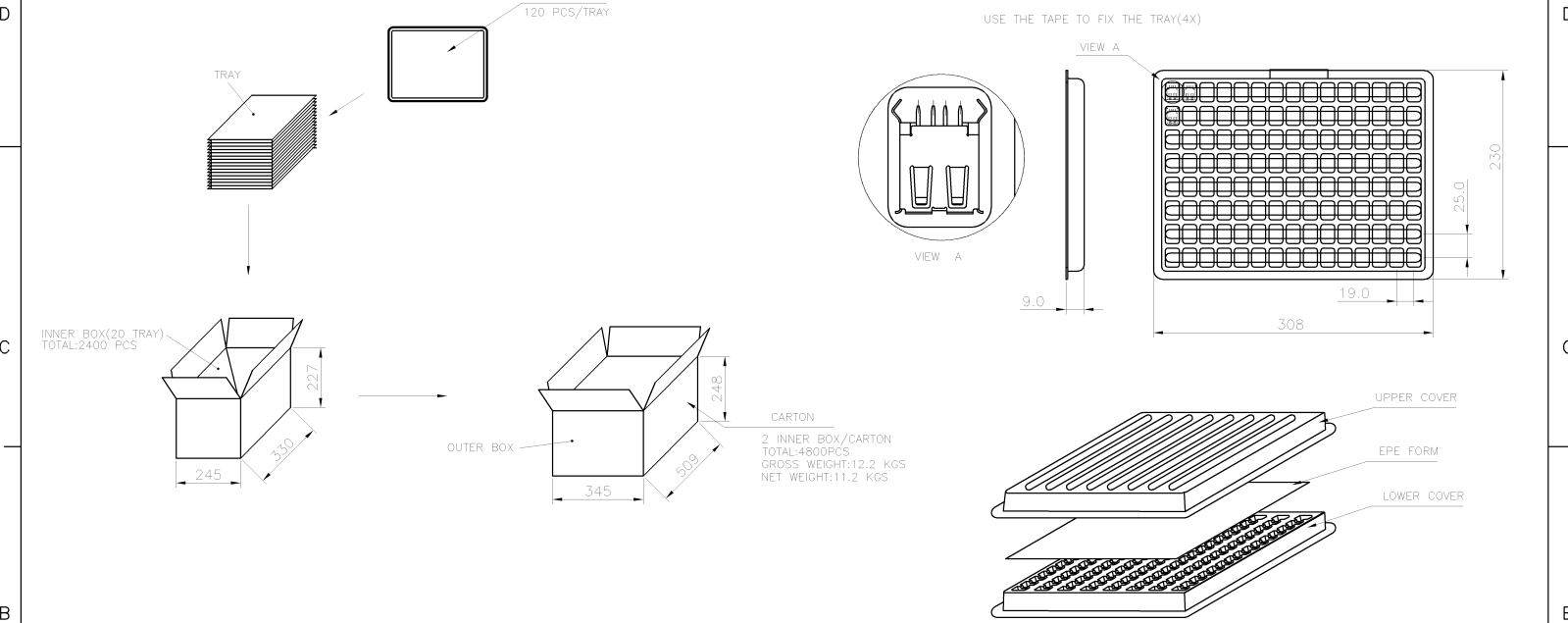
3

2

1

THIS DRAWING IS UNPUBLISHED. RELEASED FOR PUBLICATION
 © COPYRIGHT - BY TYCO ELECTRONICS CORPORATION. ALL RIGHTS RESERVED.

LOC	DIST	REVISIONS					
DW		P	LTR	DESCRIPTION	DATE	DWN	APVD
				SEE SHEET 1.			



NOTE:
 1. PACKAGING MATERIAL IN PLASTIC, RUBBER, INK, PIGMENT AND PAINT MUST MEET CONTROLLED SUBSTANCES PER TE SPEC TEC-138-702.
 * CADMIUM AND CADMIUM COMPOUNDS NOT TO EXCEED: 5 PPM.
 * LEAD, CADMIUM, CHROM VI AND MERCURY NOT TO EXCEED: 100 PPM (COMBINED).
 2. MATERIAL:
 TRAY: PVC, UPPER COVER THICKNE=0.3MM. LOWER COVER THICKNE=0.4MM

4800	1734366-2
4800	1734366-1
QTY	PART NUMBER

THIS DRAWING IS A CONTROLLED DOCUMENT.		DWN	STE TE Connectivity	
DIMENSIONS: MM		CHK		
TOLERANCES UNLESS OTHERWISE SPECIFIED:		APVD	NAME	
0 PLC	± -	PRODUCT SPEC	RECEPT ASSY, VERTICAL, 4POSITION THRU-HOLE, TYPE A USB	
1 PLC	± -	APPLICATION SPEC	SIZE	CAGE CODE
2 PLC	± -	WEIGHT	A3	00779
3 PLC	± -	CUSTOMER DRAWING	DRAWING NO	
4 PLC	± -	SCALE	C-1734366	
ANGLES	± -	SHEET	RESTRICTED TO	
		2 of 3		
MATERIAL	FINISH	REV	C	

4

3

2

1

THIS DRAWING IS UNPUBLISHED. RELEASED FOR PUBLICATION
 © COPYRIGHT BY TYCO ELECTRONICS CORPORATION. ALL RIGHTS RESERVED.

LOC	DIST	REVISIONS			
P	LTR	DESCRIPTION	DATE	DWN	APVD
SEE SHEET 1.					

D

C

B

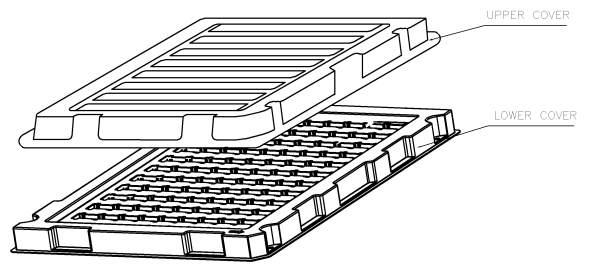
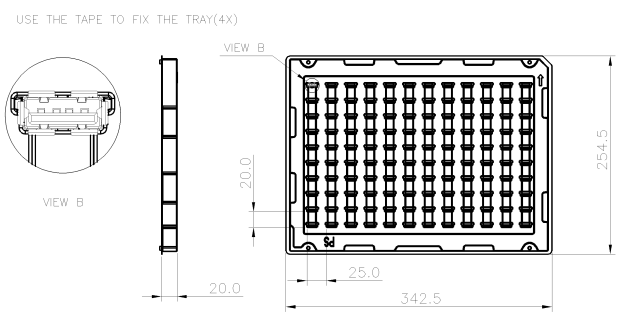
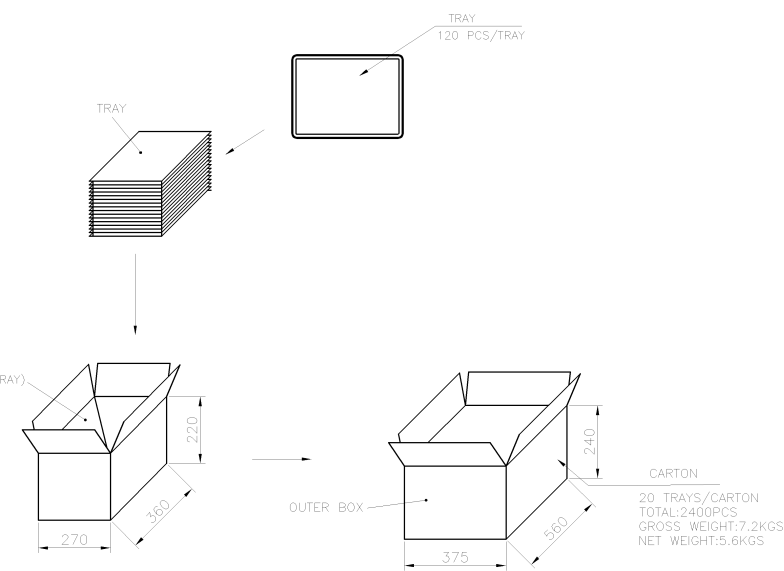
A

D

C

B

A



- NOTE:
- PACKAGING MATERIAL IN PLASTIC, RUBBER, INK, PIGMENT AND PAINT MUST MEET CONTROLLED SUBSTANCES PER TE SPEC TEC-138-702.
 - MATERIAL:
 - * CADMIUM AND CADMIUM COMPOUNDS NOT TO EXCEED: 5 PPM.
 - * LEAD, CADMIUM, CHROM VI AND MERCURY NOT TO EXCEED: 100 PPM (COMBINED).
 - TRAY: PS, UPPER COVER THICKNE=0.5MM. LOWER COVER THICKNE=0.7MM

2400	1734366-4
2400	1734366-3
QTY:	PART NUMBER

THIS DRAWING IS A CONTROLLED DOCUMENT.		DWN	TE Connectivity	
DIMENSIONS: MM		CHK		
		APVD	NAME	
TOLERANCES UNLESS OTHERWISE SPECIFIED:		PRODUCT SPEC	RECEPT ASSY, VERTICAL, 4POSITION THRU-HOLE, TYPE A USB	
0 PLC ± -		APPLICATION SPEC	SIZE CAGE CODE DRAWING NO	
1 PLC ± -		WEIGHT	A3 00779 C-1734366	
2 PLC ± -		CUSTOMER DRAWING	RESTRICTED TO	
3 PLC ± -		SCALE	SHEET 3 of 3 REV C	
4 PLC ± -				
ANGLES ± -				
MATERIAL FINISH				