

4

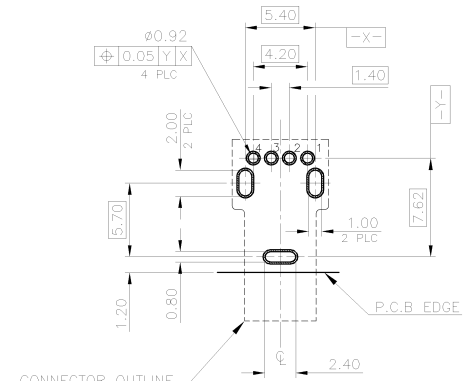
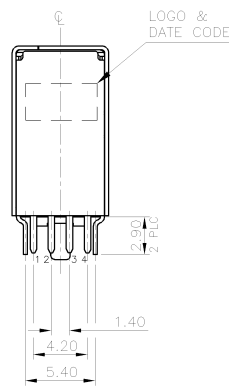
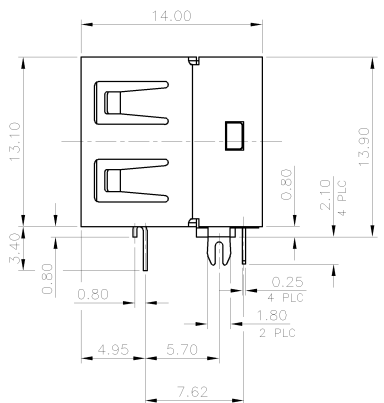
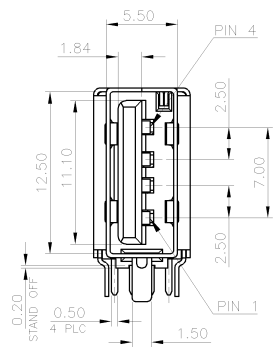
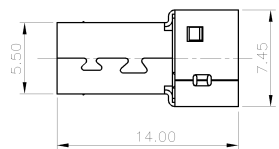
3

2

1

THIS DRAWING IS UNPUBLISHED. RELEASED FOR PUBLICATION
 © COPYRIGHT 2010 BY TYCO ELECTRONICS CORPORATION. ALL RIGHTS RESERVED.

LOC	DIST	REVISIONS			
P	LTR	DESCRIPTION	DATE	DWN	APVD
C		REVISED (ECR-11-022236)	01NOV'11	JC	WK



RECOMMENDED PCB LAYOUT (TOLERANCE = ±0.05)
 COMPONENT SIDE VIEW (THICKNESS 1.6mm)

- NOTES:
- MATERIAL:
 - HOUSING : LCP WITH 30% G.F, UL 94V-0, BLACK COLOR.
 - CONTACT: BRASS.
 - SHELL: BRASS.
 - REAR SHELL: BRASS.
 - FINISH:
 - CONTACT:
 - GOLD PLATING (SEE TABLE ON CONTACT AREA.
 - 2.54um [100u"] MIN. MATTE TIN PLATING ON SOLDER TAIL AREA.
 - 1.27um [50u"] MIN. NICKEL UNDERPLATING OVERALL.
 - SHELL & REAR SHELL: 1.27um [50u"] MIN. NICKEL PLATING OVERALL.
 - RECOMMENDED P.C.B THICKNESS : 1.2~1.8mm
 - WAVE SOLDER CAPABLE TO 265°C PER TE SPEC. 109-202, CONDITION B.

TRAY	0.762um[30u"]	1-1775842-2
	GOLD FLASH	1-1775842-1
TAPE & REEL	0.762um[30u"]	1775842-2
	GOLD FLASH	1775842-1
PACKAGE TYPE	MINIMUM	PART NUMBER
	GOLD PLATING	

THIS DRAWING IS A CONTROLLED DOCUMENT.

DIMENSIONS:	TOLERANCES UNLESS OTHERWISE SPECIFIED:	DWN	F. YANG	19MAY2009	TE Connectivity			
mm		CHK	S. CHIEN	19MAY2009				
		APVD	W. KODAMA	19MAY2009				
		NAME						
		PRODUCT SPEC	108-57408					
		APPLICATION SPEC						
MATERIAL	FINISH	WEIGHT	2.5 GRAMS		SIZE	CAGE CODE	DRAWING NO	RESTRICTED TO
SEE NOTE	SEE NOTE	CUSTOMER DRAWING			A3	00779	C-1775842	
			SCALE		SHEET	1 of 3	REV	C

4

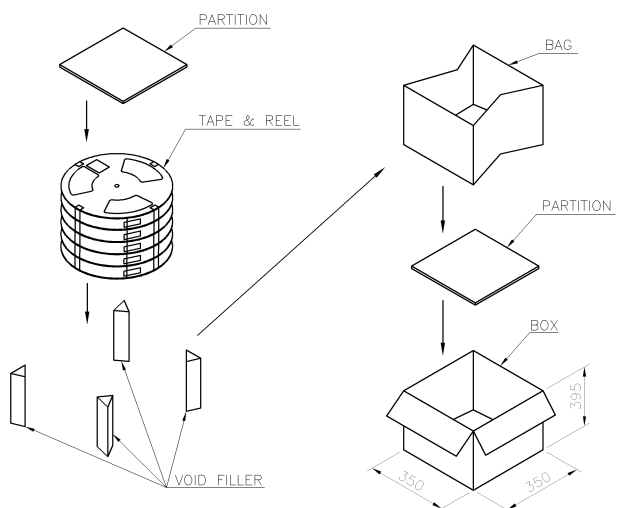
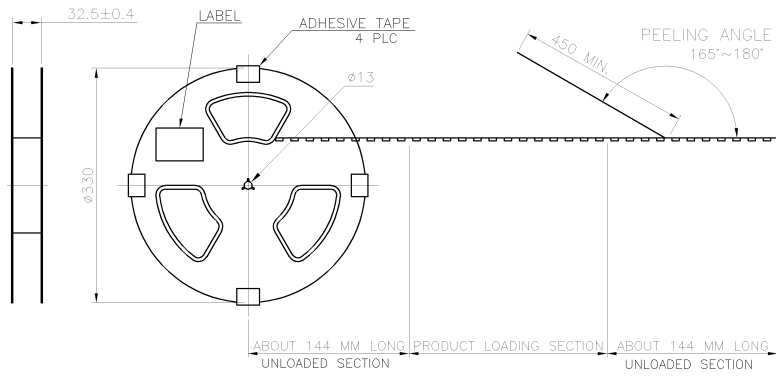
3

2

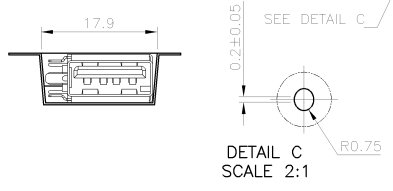
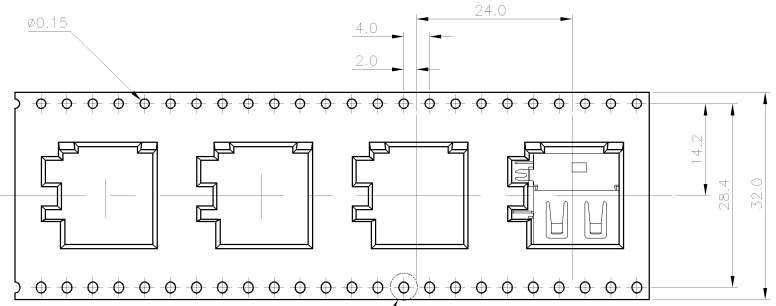
1

THIS DRAWING IS UNPUBLISHED. RELEASED FOR PUBLICATION
 © COPYRIGHT 2010 BY TYCO ELECTRONICS CORPORATION. ALL RIGHTS RESERVED.

LOC	DIST	REVISIONS				
P	LTR	DESCRIPTION	DATE	DWN	APVD	
DW		SEE SHEET 1.				



- NOTES:
 1. MATERIAL:
 CARRIER TAPE: PS.
 COVER TAPE: PET.
 REEL: PS.
 SHIPPING BOX: CORRUGATED FIBERBOARD.
 2. PEELING RESISTANCE : 10gf~130gf
 3. PEELING SPEED : 300mm/MINUTE



12.50 KG	8.75 KG	350	10	3500	1775842-2
GROSS WEIGHT	NET WEIGHT	PCS /REEL	REELS /BOX	PCS /BOX	PART NUMBER
					1775842-1

THIS DRAWING IS A CONTROLLED DOCUMENT.		DWN
DIMENSIONS: mm		CHK
TOLERANCES UNLESS OTHERWISE SPECIFIED:		APVD
0 PLC	±	PRODUCT SPEC
1 PLC	±	APPLICATION SPEC
2 PLC	±	WEIGHT
3 PLC	±	
4 PLC	±	
ANGLES	±	
MATERIAL	FINISH	

STE TE Connectivity	
NAME	
USB CONNECTOR, RCPT, FLAG, DIP TYPE	
SIZE	RESTRICTED TO
A3	
CAGE CODE	DRAWING NO
00779	1775842
CUSTOMER DRAWING	
SCALE	SHEET
	2 of 3
REV	C

4

3

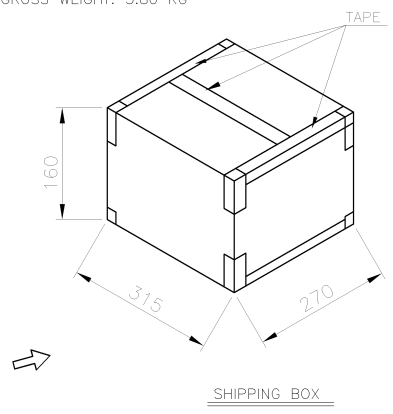
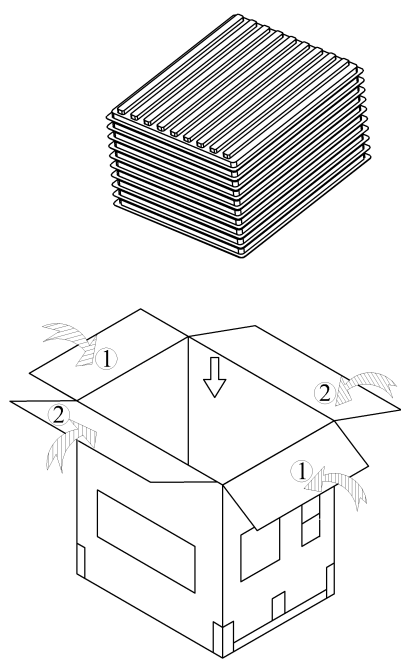
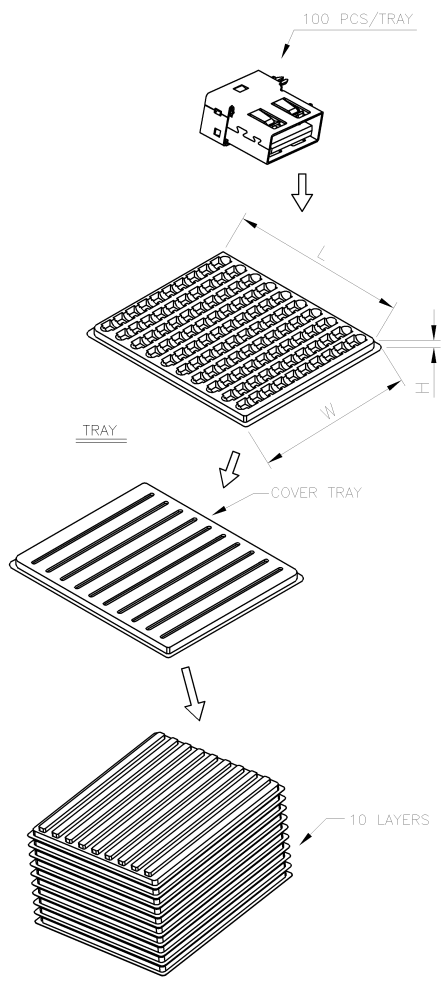
2

1

THIS DRAWING IS UNPUBLISHED. RELEASED FOR PUBLICATION
 © COPYRIGHT 2010 BY TYCO ELECTRONICS CORPORATION. ALL RIGHTS RESERVED.

LOC	DIST	REVISIONS			
P	LTR	DESCRIPTION	DATE	DWN	APVD
		SEE SHEET 1.			

- NOTES:
- MATERIAL:
 TRAY: PE.
 POLYLONE: POLYLONE
 SHIPPING BOX: CORRUGATED FIBER.
 - DIMENSION:
 TRAY: L=295mm, W=252mm, H=10mm
 SHIPPING CARTON: 315mm*270mm*160mm
 - QUANTITY:
 100 PCS/TRAY
 10 TRAYS/SHIPPING BOX (1,000PCS)
 - WEIGHT:
 NET WEIGHT: 2.50 KG
 GROSS WEIGHT: 3.80 KG



3.80 KG	2.50 KG	100	10	1000	1-1775842-2
GROSS WEIGHT	NET WEIGHT	PCS /TRAY	TRAYS /BOX	PCS /BOX	PART NUMBER
					1-1775842-1

THIS DRAWING IS A CONTROLLED DOCUMENT.		DWN	
DIMENSIONS: mm		CHK	
TOLERANCES UNLESS OTHERWISE SPECIFIED:		APVD	
0 PLC	± -	PRODUCT SPEC	
1 PLC	± -	APPLICATION SPEC	
2 PLC	± -	WEIGHT	
3 PLC	± -	CUSTOMER DRAWING	
4 PLC	± -		
ANGLES	± -		
MATERIAL	FINISH		

STE TE Connectivity			
NAME			
USB CONNECTOR, RCPT, FLAG, DIP TYPE			
SIZE	CAGE CODE	DRAWING NO	RESTRICTED TO
A3	00779	C-1775842	
SCALE		SHEET	REV
		3 of 3	C