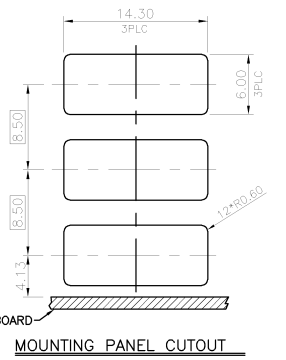
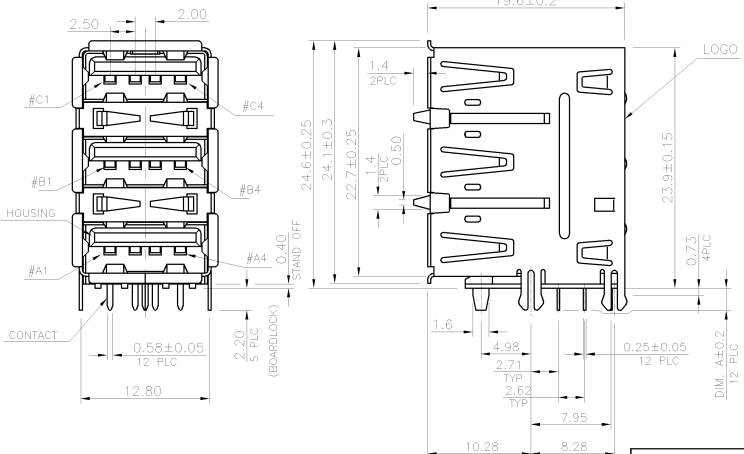
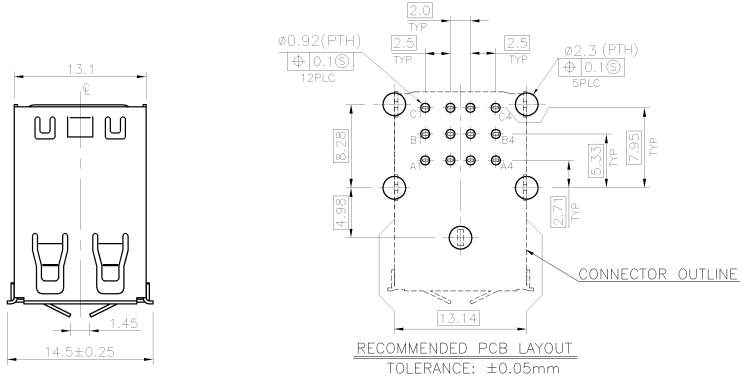


THIS DRAWING IS UNPUBLISHED. RELEASED FOR PUBLICATION  
 © COPYRIGHT - BY TYCO ELECTRONICS CORPORATION. ALL RIGHTS RESERVED.

LOC	DIST	REVISIONS			
P	LTR	DESCRIPTION	DATE	DWN	APVD
DW		REVISED (ECR-11-020274)	04OCT11	JC	WK



- NOTES:
- MATERIAL:  
 HOUSING: A. PA6T WITH 30% GF, UL 94V-0, COLOR: SEE TABLE.  
 B. PA9T WITH 33% GF, UL 94V-0, COLOR: BLACK.  
 CONTACTS: PHOSPHOR BRONZE.  
 SHELL: PHOSPHOR BRONZE.  
 SPRING: STAINLESS.  
 REAR SHELL: PHOSPHOR BRONZE.
  - FINISH:  
 CONTACTS: GOLD PLATING (SEE TABLE) IN CONTACT AREA, 2.54µm[100µ"] MIN. MATTE TIN PLATING ON SOLDERTAILS, 1.27µm[50µ"] MIN. NICKEL UNDERPLATED OVER ALL.  
 SHELL: A. 2.54µm[100µ"] MIN. BRIGHT TIN PLATING OVER 1.27µm[50µ"] MIN. NICKEL UNDERPLATED OR B. 2.54µm[100µ"] MIN. NICKEL PLATING OVER ALL.  
 SPRING: 1.27µm[50µ"] MIN. NICKEL PLATING.  
 REAR SHELL: 1.27µm[50µ"] MIN. NICKEL PLATING.
  - RECOMMENDED PCB THICKNESS: 1.6mm.
  - WAVE SOLDER CAPABLE TO 265° PER TE CONNECTIVITY SPEC. 109-202, CONDITION B.
  - RELOW SOLDER CAPABLE TO 260° PER TE CONNECTIVITY SPEC. 109-201, CONDITION B.
  - "•" APPLIED FOR 1-1734309-5 ONLY
- △ OBSOLETE PARTS: OBSOLETE CIS STREAMLINING PER D.RENAUD/D.SINISI

2.84	BEIGE (726C)	15µ"	2-1734309-8	
	BLACK (426C)	15µ"	2-1734309-7	
	BEIGE (726C)	30µ"	2-1734309-6	
	BLACK (426C)	30µ"	2-1734309-5	
	BEIGE (726C)	5µ"	2-1734309-4	
	BLACK (426C)	5µ"	2-1734309-3	
2.2	BEIGE (726C)	G/F	2-1734309-2	
	BLACK (426C)	G/F	2-1734309-1	
	△ OBSOLETE	BEIGE (726C)	15µ"	1734309-8
	△ OBSOLETE	BLACK (426C)	15µ"	1734309-7
	△ OBSOLETE	BEIGE (726C)	30µ"	1734309-6
	△ OBSOLETE	BLACK (426C)	30µ"	1734309-5
DIM A	HOUSING COLOR	MIN. GOLD THICKNESS	PART NUMBER	
	BEIGE (726C)	5µ"	1734309-4	
	BLACK (426C)	5µ"	1734309-3	
	BEIGE (726C)	G/F	1734309-2	
BLACK (426C)	G/F	1734309-1		

WITH SPRING

THIS DRAWING IS A CONTROLLED DOCUMENT.

DWN	B. HSING	06FEB2009
CHK	S. CHIEN	06FEB2009
APVD	W. KODAMA	06FEB2009

PRODUCT SPEC: 108-57519  
 APPLICATION SPEC: -  
 WEIGHT: 9.2 GRAMS  
 CUSTOMER DRAWING

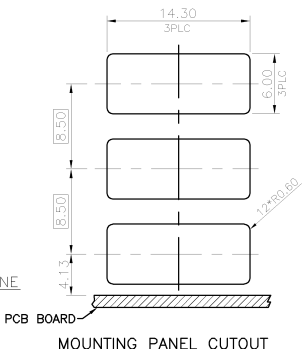
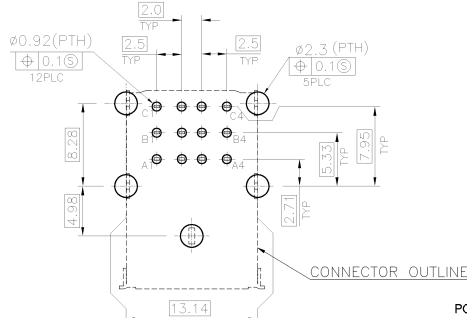
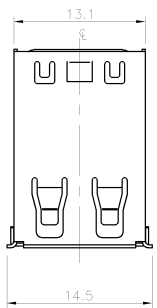
**STE** TE Connectivity

TRIPLE STACKED USB, A TYPE, RECEPTACLE, R/A, DIP CONN.

SIZE: A3 CAGE CODE: 00779 DRAWING NO: C-1734309  
 RESTRICTED JO: -  
 SCALE: - SHEET: 1 OF 3 REV: D

THIS DRAWING IS UNPUBLISHED. RELEASED FOR PUBLICATION  
 © COPYRIGHT BY TYCO ELECTRONICS CORPORATION. ALL RIGHTS RESERVED.

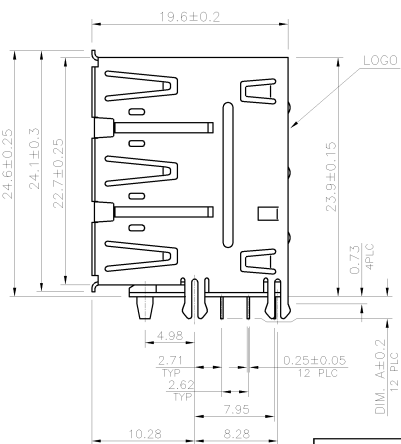
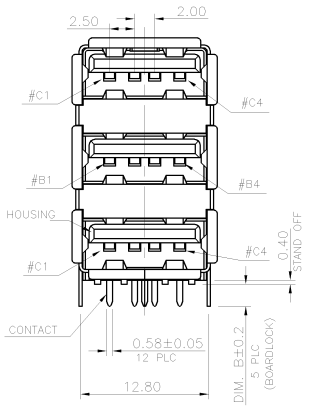
LOC	DIST	REVISIONS			
P	LTR	DESCRIPTION	DATE	DWN	APVD
SEE SHEET 1.					



WITHOUT SPRING

RECOMMENDED PCB LAYOUT  
 TOLERANCE:  $\pm 0.05\text{mm}$

MOUNTING PANEL CUTOUT



REV	DESCRIPTION	DATE	DWN	APVD
2.84	BLACK (426C)	15μ"	5-1734309-7	
OB	BEIGE (726C)	15μ"	3-1734309-8	
OB	BLACK (426C)	15μ"	3-1734309-7	
OB	BEIGE (726C)	30μ"	3-1734309-6	
2.84	BLACK (426C)	30μ"	3-1734309-5	
OB	BEIGE (726C)	5μ"	3-1734309-3	
OB	BLACK (426C)	5μ"	3-1734309-3	
OB	BEIGE (726C)	C/F	3-1734309-2	
2.2	BLACK (426C)	C/F	3-1734309-4	
OB	BEIGE (726C)	15μ"	1-1734309-8	
2.2	BLACK (426C)	15μ"	1-1734309-7	
OB	BEIGE (726C)	30μ"	1-1734309-6	
OB	BLACK (426C)	30μ"	1-1734309-5	
OB	BEIGE (726C)	5μ"	1-1734309-3	
OB	BLACK (426C)	5μ"	1-1734309-3	
OB	BEIGE (726C)	C/F	1-1734309-2	
OB	BLACK (426C)	C/F	1-1734309-4	

THIS DRAWING IS A CONTROLLED DOCUMENT.		DWN	CHK
DIMENSIONS: MM		APVD	NAME
TOLERANCES UNLESS OTHERWISE SPECIFIED:		PRODUCT SPEC	APPLICATION SPEC
0 PLC	±	WEIGHT	9.0 GRAMS
1 PLC	± 0.30	CUSTOMER DRAWING	
2 PLC	± 0.25		
3 PLC	± 0.20		
4 PLC	±		
ANGLES	± 3°		
MATERIAL	FINISH		

<b>STE</b> TE Connectivity	
TRIPLE STACKED USB, A TYPE, RECEPTACLE, R/A, DIP CONN.	
SIZE	CAGE CODE DRAWING NO
A3	00779 C-1734309
RESTRICTED TO	
SCALE	SHEET
	2 of 3
REV	D

4

3

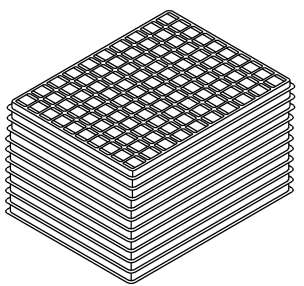
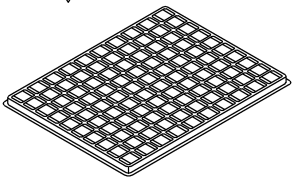
2

1

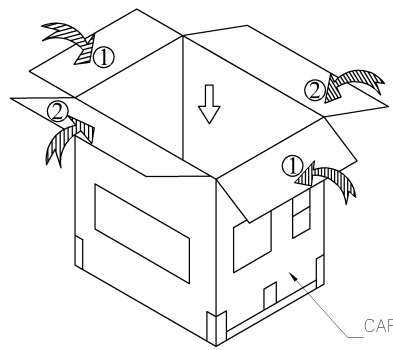
THIS DRAWING IS UNPUBLISHED. RELEASED FOR PUBLICATION  
 © COPYRIGHT - BY TYCO ELECTRONICS CORPORATION. ALL RIGHTS RESERVED.

LOC		DIST		REVISIONS				
P	LTR	DESCRIPTION		DATE	DWN	APVD		
		SEE SHEET 1.						

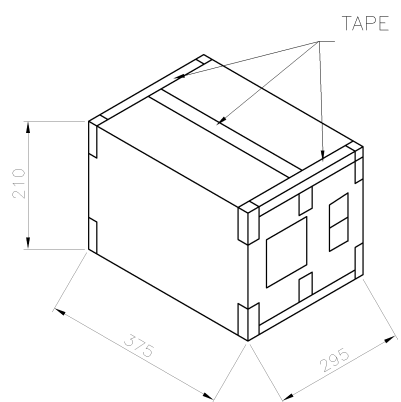
100PCS/TRAY



10 LAYERS



CARTON



13.0	12.0	100	10	1000
G/W (KG)	N/W (KG)	PCS/ TRAY	TRAY/ CARTON	PCS/ CARTON

THIS DRAWING IS A CONTROLLED DOCUMENT.		DWN	TE Connectivity	
DIMENSIONS: MM		CHK	NAME	
TOLERANCES UNLESS OTHERWISE SPECIFIED:		APVD	TRIPLE STACKED USB, A TYPE, RECEPTACLE, R/A, DIP CONN.	
0 PLC ± -	1 PLC ± -	PRODUCT SPEC	SIZE CAGE CODE DRAWING NO	
2 PLC ± -	3 PLC ± -	APPLICATION SPEC	A3 00779 C-1734309	
4 PLC ± -	ANGLES ± -	WEIGHT	RESTRICTED TO	
MATERIAL	FINISH	CUSTOMER DRAWING	SCALE	SHEET 3 of 3 REV D