

4

3

2

1

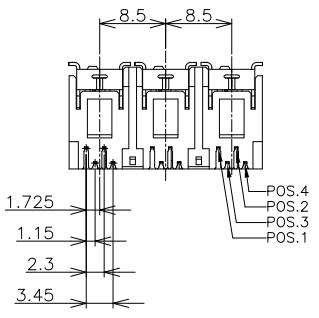
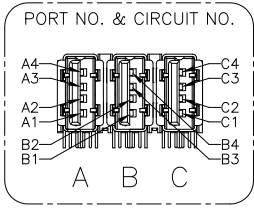
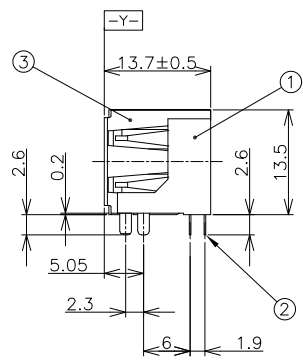
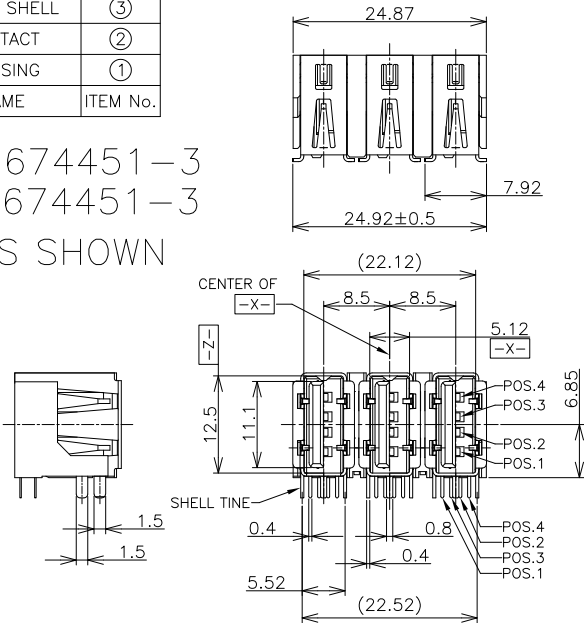
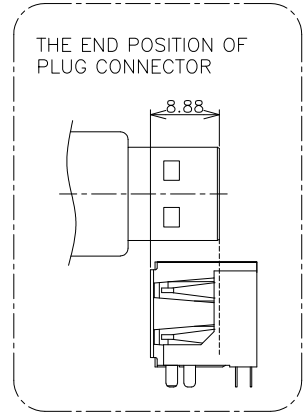
THIS DRAWING IS UNPUBLISHED. RELEASED FOR PUBLICATION
 © COPYRIGHT 2004 By - ALL RIGHTS RESERVED.

LOC	DIST	REVISIONS			
P	LTR	DESCRIPTION	DATE	DWN	APVD
B1		REVISED PER ECO-11-005030	11MAR11	RK	HMR

FRONT SHELL	③
CONTACT	②
HOUSING	①
NAME	ITEM No.

1-1674451-3
 1674451-3
 AS SHOWN

- △ MATERIAL
 HOUSING: THERMO-PLASTICS UL94V-0 NATURAL
 CONTACT: COPPER ALLOY
 FRONT SHELL: COPPER ALLOY
- △ FINISH
 CONTACT: NICKEL UNDER PLATE ALL OVER.
 CONTACT AREA: GOLD PLATE
 TINE AREA: TIN PLATE
- △ FINISH
 FRONT SHELL: TIN PLATE
 CONTACT: NICKEL UNDER PLATE ALL OVER.
 CONTACT AREA: GOLD PLATE
 TINE AREA: TIN-LEAD PLATE
 FRONT SHELL: TIN-LEAD PLATE



SEE SHEET 3, 4	△	1-1674451-4
	△	1674451-4
SEE SHEET 1, 2	△	1-1674451-3
	△	1674451-3
REMARK	FINISH	PART NO.

THIS DRAWING IS A CONTROLLED DOCUMENT.

DIMENSIONS: 單位: 種 MM	TOLERANCES UNLESS OTHERWISE SPECIFIED: 一般公差	DWN M. UMEHARA 16DEC03	16DEC03	
	0 PLC ± 0.3	CHK S. KAJINUMA 16DEC03	TE Connectivity	
	1 PLC ± 0.3	APVD Y. YAMAMOTO 16DEC03	USB CONNECTOR RECEPTACLE TYPE	
	2 PLC ± 0.3	PRODUCT SPEC 製品規格 108-5804	NAME 名称	RESTRICTED TO
	3 PLC ± 0.3	APPLICATION SPEC 取付適用規格	SIZE A3	CAGE CODE 00779
4 PLC ± 0.3	ANGLES ± 3°	WEIGHT	SCALE 尺度 2:1	SHEET 1 of 4
MATERIAL 材料	FINISH 仕上	RESTRICTED CUSTOMER	REV B1	

4

3

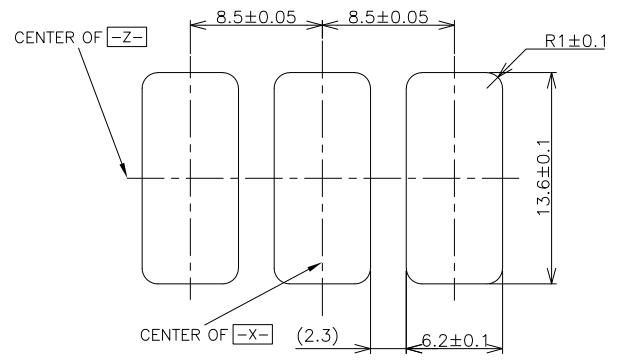
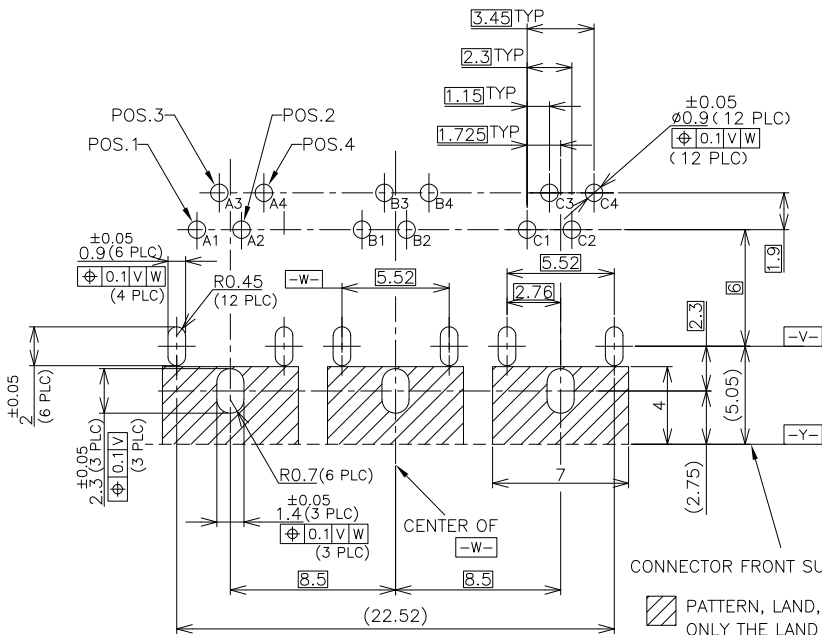
2

1

THIS DRAWING IS UNPUBLISHED. RELEASED FOR PUBLICATION
 © COPYRIGHT 2004 BY -- ALL RIGHTS RESERVED.

LOC	DIST	REVISIONS					
J		P	LTR	DESCRIPTION	DATE	DWN	APVD
				SEE SHEET 1			

APPLICATION PRODUCT: 1674451-3
 1-1674451-3



* THIS DIMENSIONS ARE NOT CONSIDERATION
 PANEL TOLERANCE AND PANEL ASSEMBLY TOLERANCE.

RECOMMENDED PANEL DIMENSION
 (SCALE 4:1)

CONNECTOR FRONT SURFACE

▨ PATTERN, LAND, VIA HOLE, MOUNT, PROHIBITION AREA.
 ONLY THE LAND FOR SOLDERING OF FRONT SHELL IS OK.

RECOMMENDED LAYOUT OF P.C.B
 (CONNECTOR MOUNTING SIDE)
 RECOMMENDED THICKNESS: 1.0~1.6mm

THIS DRAWING IS A CONTROLLED DOCUMENT.		DWN			
DIMENSIONS: 單位: 轉 MM		CHK			
TOLERANCES UNLESS OTHERWISE SPECIFIED: 數公差		APVD		NAME 名稱	
0 PLC ± 0.3 1 PLC ± 0.3 2 PLC ± 0.3 3 PLC ± 0.3 4 PLC ± 0.3 ANGLES ± 3°		PRODUCT SPEC 製品規格		USB CONNECTOR RECEPTACLE TYPE	
MATERIAL 材料		WEIGHT		SIZE	
FINISH 仕上		RESTRICTED CUSTOMER		CAGE CODE	
				DRAWING NO 圖號	
				A3 00779 C=1674451	
				RESTRICTED TO	
				SCALE 尺度 5:1	
				SHEET 2 of 4	
				REV B1	

4

3

2

1

THIS DRAWING IS UNPUBLISHED.

RELEASED FOR PUBLICATION

© COPYRIGHT 2004 By --

ALL RIGHTS RESERVED.

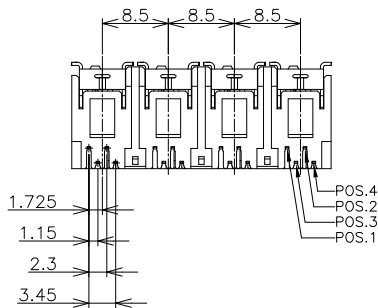
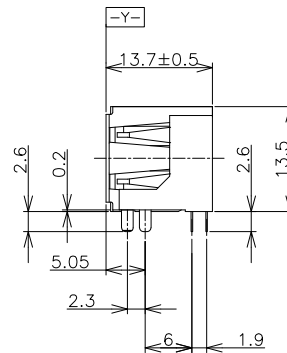
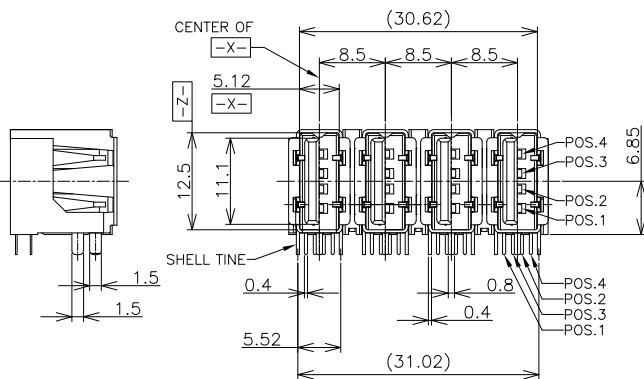
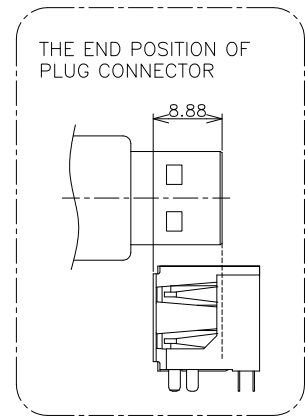
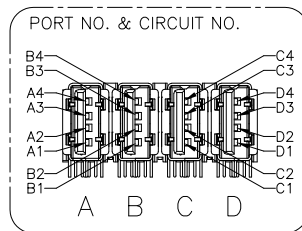
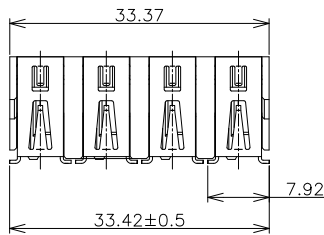
LOC J

DIST

REVISIONS

變更

P	LTR	DESCRIPTION	DATE	OWN	APVD
-	-	SEE SHEET 1	-	-	-



1-1674451-4 :AS SHOWN
1674451-4

THIS DRAWING IS A CONTROLLED DOCUMENT.		DWN		TE Connectivity	
DIMENSIONS: 單位: 毫米		TOLERANCES UNLESS OTHERWISE SPECIFIED: 公差		NAME 名稱	
0 PLC ± 0.3		1 PLC ± 0.3		USB CONNECTOR	
1 PLC ± 0.3		2 PLC ± 0.3		RECEPTACLE TYPE	
2 PLC ± 0.3		3 PLC ± 0.3		SIZE	
3 PLC ± 0.3		4 PLC ± 0.3		CAGE CODE	
4 PLC ± 0.3		ANGLES ± 0.3°		DRAWING NO 圖號	
FINISH 仕上		WEIGHT		RESTRICTED TO	
MATERIAL 材料		RESTRICTED CUSTOMER		SCALE 尺碼	
		A3		00779	
		C=1674451		SHEET 張數	
				3 of 4	
				REV 版	
				B1	

4

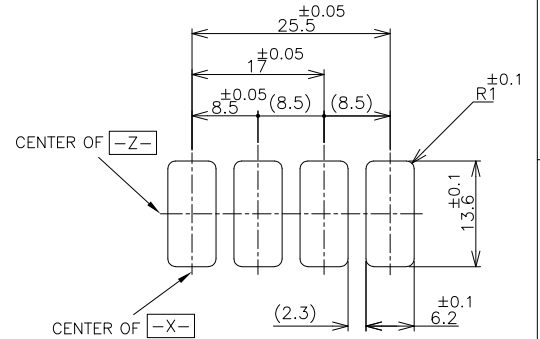
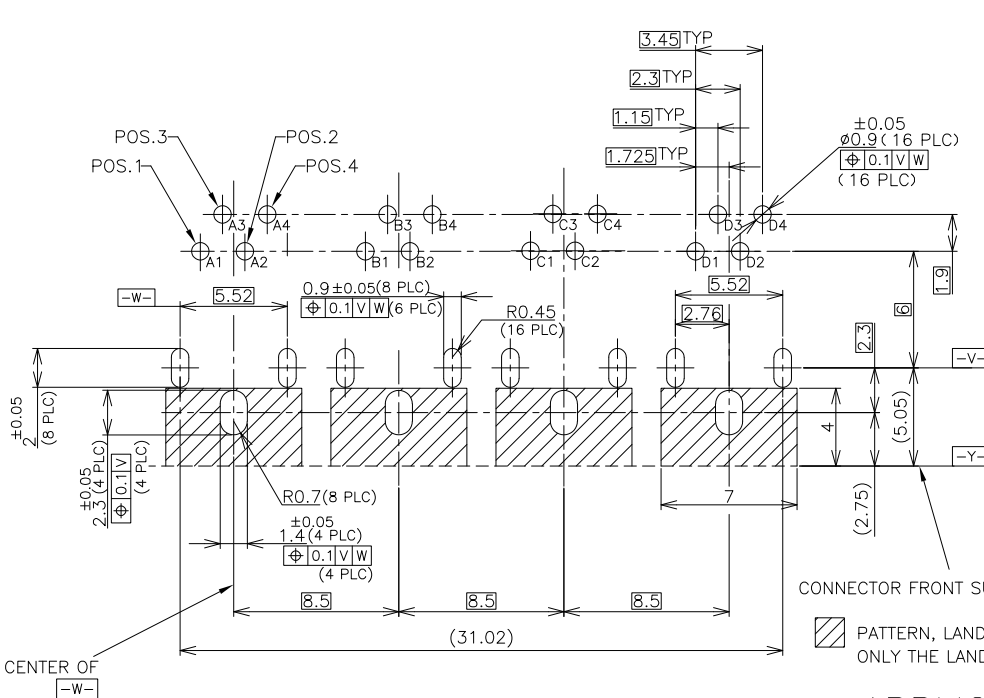
3

2

1

THIS DRAWING IS UNPUBLISHED. RELEASED FOR PUBLICATION
 © COPYRIGHT 2004 BY -- ALL RIGHTS RESERVED.

LOC	DIST	REVISIONS			
P	LTR	DESCRIPTION	DATE	DWN	APVD
SEE SHEET 1					



* THIS DIMENSIONS ARE NOT CONSIDERATION
 PANEL TOLERANCE AND PANEL ASSEMBLY TOLERANCE.

RECOMMENDED PANEL DIMENSION
 (SCALE 2:1)

CONNECTOR FRONT SURFACE

PATTERN, LAND, VIA HOLE, MOUNT, PROHIBITION AREA.
 ONLY THE LAND FOR SOLDERING OF FRONT SHELL IS OK.

APPLICATION PRODUCT: 1674451-4
 1-1674451-4

RECOMMENDED LAYOUT OF P.C.B
 (CONNECTOR MOUNTING SIDE)

RECOMMENDED THICKNESS: 1.0~1.6mm

THIS DRAWING IS A CONTROLLED DOCUMENT.		DWN		TE Connectivity	
DIMENSIONS: 單位: 轉 MM		CHK			
TOLERANCES UNLESS OTHERWISE SPECIFIED: 一般公差		APVD		NAME 名稱	
0 PLC ± 0.3 1 PLC ± 0.3 2 PLC ± 0.3 3 PLC ± 0.3 4 PLC ± 0.3 ANGLES ± 3°		PRODUCT SPEC 製品規格		USB CONNECTOR RECEPTACLE TYPE	
MATERIAL 材料		FINISH 仕上		APPLICATION SPEC 取付適用規格	
		WEIGHT		SIZE A3	
		RESTRICTED CUSTOMER		CAGE CODE 00779	
				DRAWING NO C=1674451	
				RESTRICTED TO	
				SCALE 尺度 5:1	
				SHEET 4 of 4	
				REV B1	