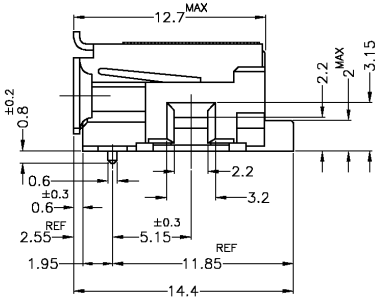
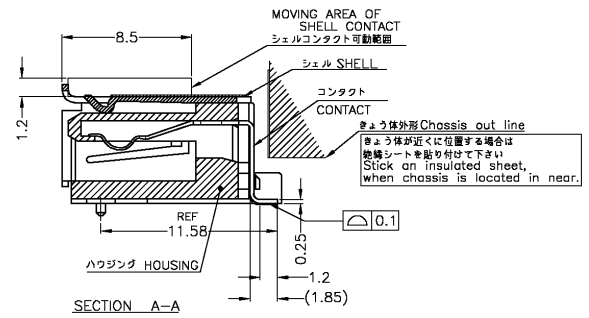
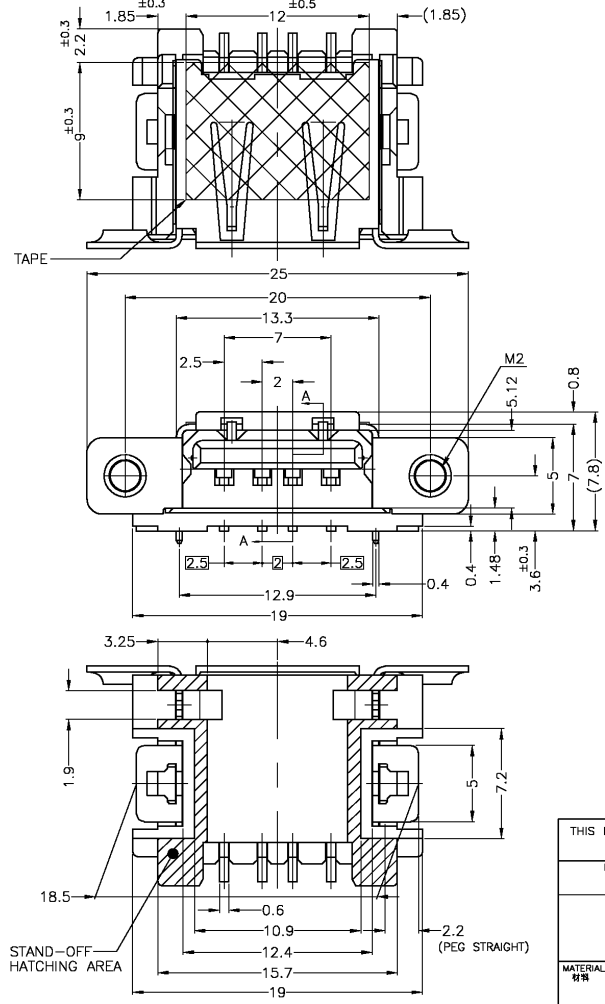


THIS DRAWING IS UNPUBLISHED. RELEASED FOR PUBLICATION
 © COPYRIGHT 2003 BY TYCO ELECTRONICS CORPORATION. ALL RIGHTS RESERVED.

LOC	DIST	REVISIONS			
P	LTR	DESCRIPTION	DATE	DWN	APVD
0		RELEASED FJ00-2553-02	12FEB03	N.S	Y.Y



PRODUCING	WITH TAPE	BLACK	1-1674429-2
PRELIMINARY NOT FOR PRODUCTION	WITH TAPE	WHITE	1-1674429-1
TOOLING STATUS	REMARKS	HOUSING COLOR	PART NO.

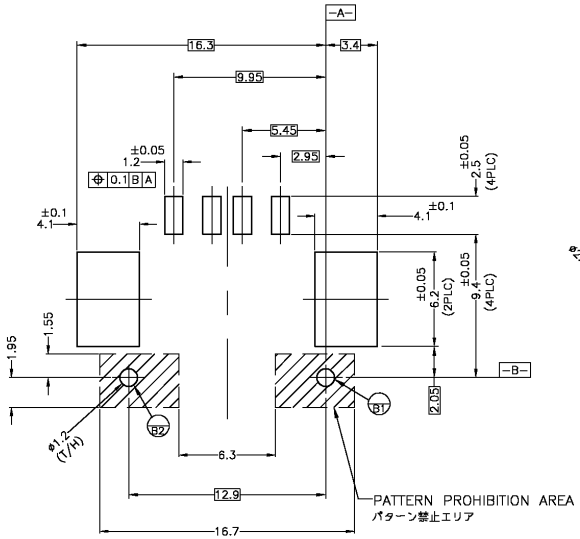
THIS DRAWING IS A CONTROLLED DOCUMENT.

DIMENSIONS: 単位: 純	TOLERANCES UNLESS OTHERWISE SPECIFIED: 一般公差	DWN: N.SASAME 07FEB2003	Tyco Electronics AMP K.K. Kawasaki, Japan
0-PLC ±0.2 1-PLC ±0.25 2-PLC ±0.3 3-PLC ±0.4 4-PLC ±0.5 ANGLES ±5°	APVD: Y.YAMAMOTO 12FEB03 製品規格 108-5563 APPLICATION SPEC 取付適用規格	CHK: H.SHIRAI 12FEB03 NAME 名称 RECEPTACLE ASSY R/A SMT STANDARD TYPE USB CONNECTOR	
MATERIAL 材料	FINISH 仕上	SIZE: A3	CAGE CODE: 00779 DRAWING NO: 1674429 SCALE: 4:1 SHEET: 1 of 2 REV: 0

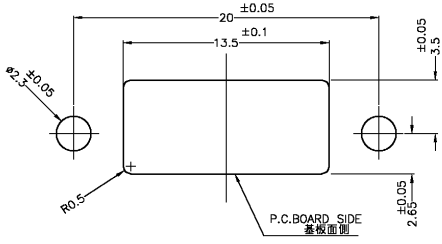
CUSTOMER DRAWING

THIS DRAWING IS UNPUBLISHED. RELEASED FOR PUBLICATION
 © COPYRIGHT 2003 BY TYCO ELECTRONICS CORPORATION. ALL RIGHTS RESERVED.

LOC	DIST	REVISIONS					
J	-	P	LT/R	DESCRIPTION	DATE	DWN	APVD



REFERENCE DIMENSION OF P.C. BOARD (MOUNTING SIDE)



REFERENCE PANEL DIMENSION

- △ 材料
 ・ハウジング：耐熱性熱可塑性樹脂、UL94V-0、黒
 ・コンタクト：銅合金
 ・フロントシェル：銅合金
- △ 仕上げ
 ・コンタクト：全面ニッケル下地めっき
 接触部 金めっき
 タイム部 半田めっき
 ・シェル：半田めっき
3. PRELIMINARYの製品は、製造を確約するものではありません。

- △ MATERIAL
 HOUSING: THERMO-PLASTICS, UL94V-0, BLACK
 CONTACT: COPPER ALLOY
 SHELL: COPPER ALLOY
- △ FINISH
 CONTACT: NICKEL UNDER PLATE ALL OVER.
 CONTACT AREA: GOLD PLATE
 TIME AREA: INE-LEAD PLATING
 SHELL: TIN-LEAD PLATE
3. PRELIMINARY PRODUCT DOES NOT BE PROMISED MANUFACTURE POSITIVELY.

THIS DRAWING IS A CONTROLLED DOCUMENT.		DWN	Tyco Electronics AMP K.K. Kawasaki, Japan	
DIMENSIONS: 単位: 純	TOLERANCES UNLESS OTHERWISE SPECIFIED: 一般公差	CHK	NAME 名称	RECEPTACLE ASSY R/A SMT STANDARD TYPE USB CONNECTOR
0-PLC ±0.2 1-PLC ±0.3 2-PLC ±0.4 3-PLC ±0.5 4-PLC ±0.6 ANGLES ±5°	0-PLC ±0.2 1-PLC ±0.3 2-PLC ±0.4 3-PLC ±0.5 4-PLC ±0.6 ANGLES ±5°	APVD	PRODUCT SPEC 製品規格 108-5563	APPLICATION SPEC 取付適用規格
MATERIAL 材料	FINISH 仕上	WEIGHT	SIZE A3	CAGE CODE 00779
CUSTOMER DRAWING		DRAWING NO. 番号	C=1674429	
		SCALE 尺貫	4:1	SHEET 2 OF 2
		REV	0	