

4

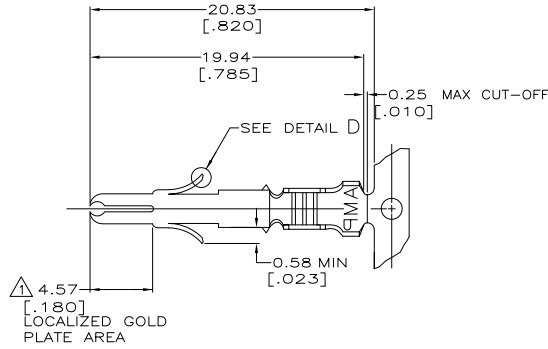
3

2

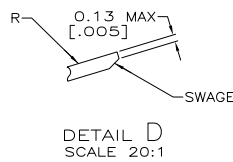
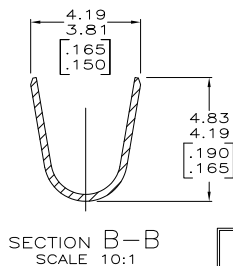
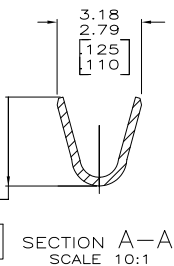
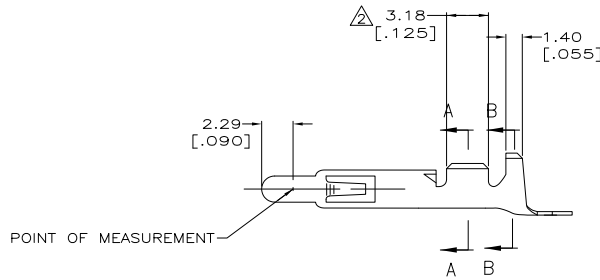
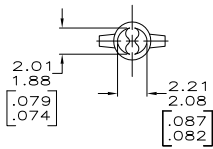
1

THIS DRAWING IS UNPUBLISHED. RELEASED FOR PUBLICATION. ALL RIGHTS RESERVED.

LOC	DIST	REVISIONS					
CM	53	F	LR	DESCRIPTION	DATE	BY	APPD
		Y1		REVISED PER ECO-11-004587	11MAR11	RK	HMR



- △ PLATED WITH 0.00076 [.000030] GOLD, OVER 0.00127 [.000050] NICKEL UNDERPLATE.
- △ PLATED INTERNALLY WITH 0.00076 [.000030] GOLD.
- 3. DIMENSIONS IN BRACKETS ARE IN INCHES.
- △ PRELIMINARY, NOT FOR PRODUCTION.



△	-	0.31 [.012]	BE CU	PRE-TIN	350687-9
△	350705-7	0.31 [.012]	BRASS	GOLD	350687-7
△	-	0.31 [.012]	PH BRZ	GOLD	350687-5
△	350705-2	0.31 [.012]	BRASS	GOLD	350687-2
△	350705-1	0.31 [.012]	BRASS	PRE-TIN	350687-1
	LOOSE PIECE (REF)		MATERIAL	FINISH	PART NUMBER

THIS DRAWING IS A CONTROLLED DOCUMENT. DIM: K, WHITAKER, 12-MAY-2000. CHK: K, COBLE, 12-MAY-2000. NAME: K, COBLE. PRODUCT SPEC: UNIVERSAL MATE-N-LOK™. APPLICATION SPEC: -. SIZE: A2, CASE CODE: C=350687. WEIGHT: -. CUSTOMER DRAWING. SCALE: 5:1, SHEET: 1 of 1, REV: Y1.

TE Connectivity

PIN, UNIVERSAL MATE-N-LOK™

RESTRICTED TO

METRIC

WIRE RANGE 20-14 AWG