

4

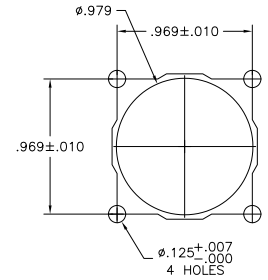
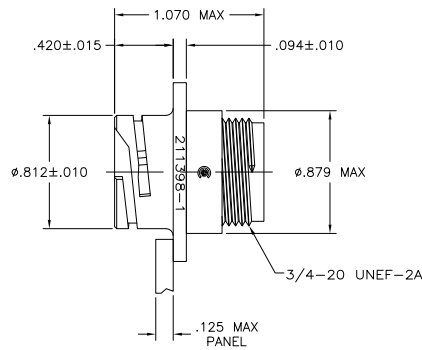
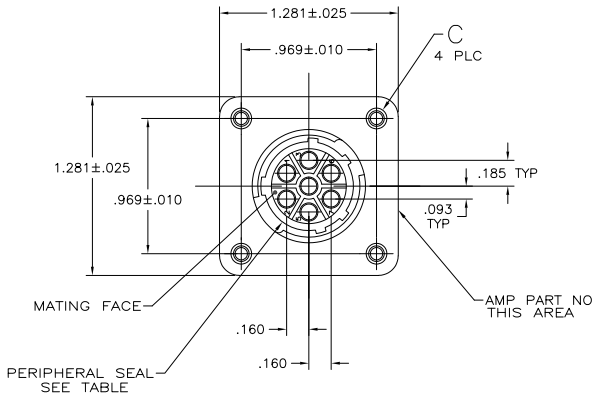
3

2

1

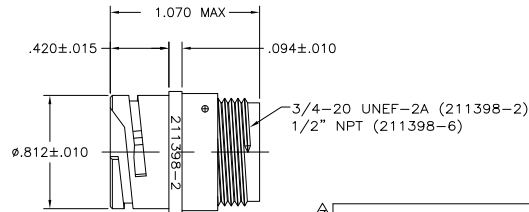
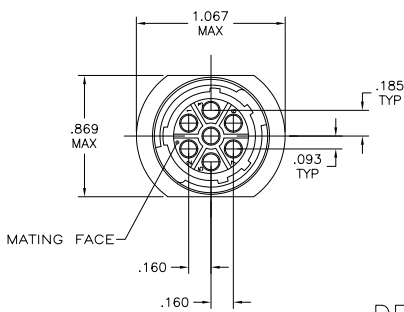
THIS DRAWING IS UNPUBLISHED. RELEASED FOR PUBLICATION
 © COPYRIGHT - By - ALL RIGHTS RESERVED.

LOC	DIST	REVISIONS		
P	LTR	DESCRIPTION	DATE	BY
K1		REVISED PER ECO-11-004587	11MAR11	RK HMR



RECOMMENDED PANEL CUTOUT

DETAIL A



DETAIL B

4-40 THREADED INSERTS	NO	B	211398-6
4-40 THREADED INSERTS	YES	A	211398-5
4-40 THREADED INSERTS	NO	A	211398-4
Ø.150 ± .003	YES	A	211398-3
Ø.150 ± .003	NO	B	211398-2
Ø.150 ± .003	NO	A	211398-1
C	PERIPHERAL SEAL	SEE DETAIL	PART NUMBER

NOTES:

1. CAVITY IDENTIFICATION ON FRONT AND REAR FACE.
 2. WILL ACCEPT SEVEN (7) MULTIMATE SOCKET CONTACTS.
- PRELIMINARY PART NUMBER.

THIS DRAWING IS A CONTROLLED DOCUMENT.		BY: D.HARDY 07-27-04	TE Connectivity
DIMENSIONS: INCHES		CHK: S.STONE 08-10-04	
MATERIAL: NYLON, BLACK		APP: A.FRANTUM 10-03-04	NAME: RECEPTACLE, HOUSING, REVERSE SEX, 13-7, CPC
FINISH: -		APPLICATION SPEC: -	SIZE: A2
		WEIGHT: -	CAGE CODE: 00779
			DRAWING NO: C=211398
			RESTRICTED TO: -
			CUSTOMER DRAWING
			SCALE: 2:1 SHEET: 1 of 1 REV: K1

1471-9 (3/11)

211.1398

B

A