

4

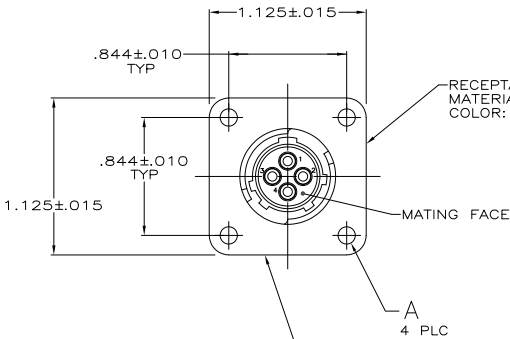
3

2

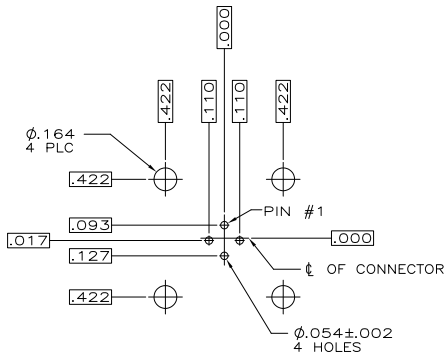
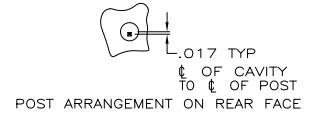
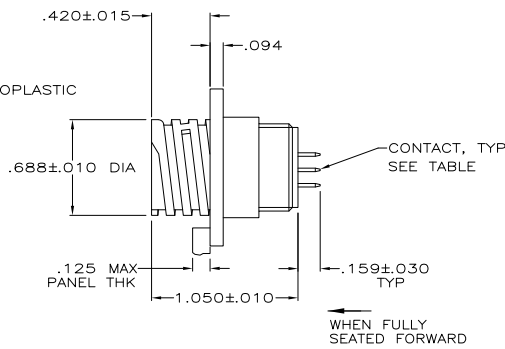
1

THIS DRAWING IS UNPUBLISHED. RELEASED FOR PUBLICATION. ALL RIGHTS RESERVED.

LOC	DIST	REVISIONS			
P	LR	DESCRIPTION	DATE	BY	APPD
K1		REVISED PER ECO-11-018571	13SEP11	HMR	MZ



AMP PART NUMBER INK STAMPED THIS EDGE



RECOMMENDED P.C. BOARD LAYOUT

- CONTACT BODY: GOLD PLATED PER MIL-G-45204 OVER NICKEL PER QQ-N-290. CONTACT POST: TIN-LEAD PER MIL-T-10727 OVER COPPER PER MIL-C-14550A.
- CONTACT BODY: TIN-LEAD PLATED .000100 MIN. CONTACT POST: TIN-LEAD PLATED .000100 MIN.
- CONTACT BODY: GOLD PLATED OVER NICKEL PER QQ-N-290. CONTACT POST: TIN OVER COPPER.
- PRELIMINARY PART NUMBER.

4	△	YES	.125 DIA	ALL	208283-8
	△	NO	.125 DIA	1,2,3	208283-7
	△	NO	4-40UNC, INSERT, BRASS	1,3,4	208283-6
4	△	NO	.125 DIA	ALL	208283-5
	△	NO	.125 DIA	ALL	208283-4
4	△	YES	.125 DIA	ALL	208283-3
	△	NO	4-40UNC, INSERT, BRASS	1,3,4	208283-2
	△	NO	.125 DIA	ALL	208283-1

FINISH	PERIPHERAL SEAL	A	CONTACTS LOADED AT POSITION	PART NUMBER
--------	-----------------	---	-----------------------------	-------------

THIS DRAWING IS A CONTROLLED DOCUMENT.		DRG. NO. 6-22-91	TE Connectivity	
DIMENSIONS: INCHES		DR. SLEE, BG 4-14-92	W. G. LENKER	
MATERIAL		PRODUCT SPEC 108-10024	APPLICATION SPEC	
FINISH		SIZE A2	CAGE CODE 00779	DRAWING NO. C-208283
CUSTOMER DRAWING		SCALE 1:1	SHEET 1 of 1	REV K1

1471-9 (3/11)

208283

A