

4

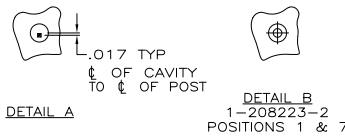
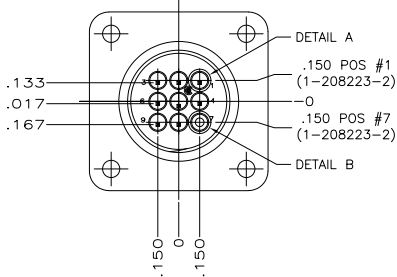
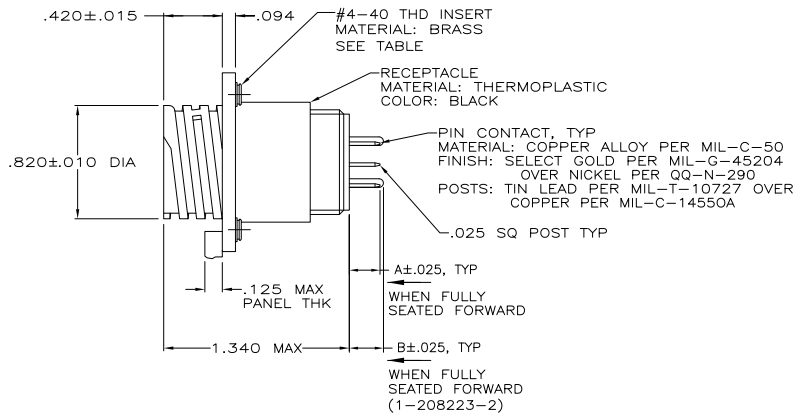
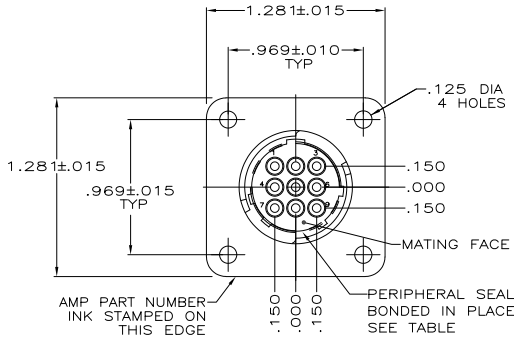
3

2

1

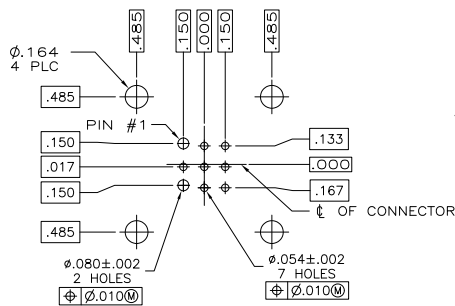
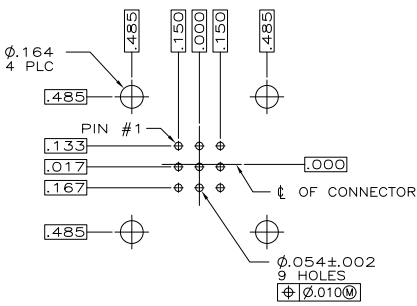
THIS DRAWING IS UNPUBLISHED. RELEASED FOR PUBLICATION. ALL RIGHTS RESERVED.

LOC		DIBT		REVISIONS			
P	LTR	DESCRIPTION	DATE	BY	APPD		
S4		REVISED PER ECO-11-004820	11MAR11	RK	HMR		



- 1-66460-0 WILL BE SELECTIVELY LOADED INTO POSITIONS 2, 4, 6, 7, 9 AND 66464-3 WILL BE LOADED INTO POSITIONS 1, 3, 5, 8 OF THE HOUSING.
- LOAD ALL POSITIONS EXCEPT POSITION NUMBER 4.
- TIN PLATED CONTACTS.
- 194264-1 LOADED INTO POSITIONS 1 & 7.
- OBsolete PARTS: OBsolete CIS STREAMLINING PER D.RENAUD/D.SINISI

	.245	.220	NO	YES	1-208223-2
PRELIMINARY	-.220	YES	YES	YES	1-208223-1
PRELIMINARY	-.220	NO	YES	YES	1-208223-0
PRELIMINARY	-.220	NO	NO	NO	208223-9
PRELIMINARY	-.220	YES	NO	NO	208223-8
PRELIMINARY	-.220	NO	NO	NO	208223-7
PRELIMINARY	-.618	NO	YES	YES	208223-6
OBsolete	-.220	YES	YES	YES	208223-5
OBsolete	-.220	NO	NO	NO	208223-4
OBsolete	-.220	NO	YES	YES	208223-3
OBsolete	-.429	NO	NO	NO	208223-2
OBsolete	-.220	NO	NO	NO	208223-1



RECOMMENDED P.C. BOARD LAYOUT

RECOMMENDED P.C. BOARD LAYOUT (1-208223-2 ONLY)

THIS DRAWING IS A CONTROLLED DOCUMENT.		DATE: 6-22-91	TE Connectivity	
DRAWN BY: W. GLENKER		DATE: 4-14-92	TE Connectivity	
CHECKED BY: W. GLENKER		DATE: -	RECEPTACLE ASSEMBLY, POSTED, STD SEX, SERIES 1, 13-9, CPC	
PRODUCT SPEC: 108-10024		SIZE: A2	CAGE CODE: 00779	DRAWING NO: C-208223
APPLICATION SPEC: -		SCALE: 2:1	SHEET: 1 of 1	REV: S4
MATERIAL: SEE CALLOUT		CUSTOMER DRAWING		