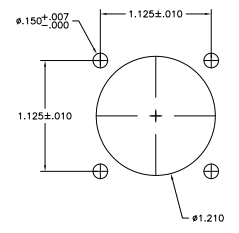
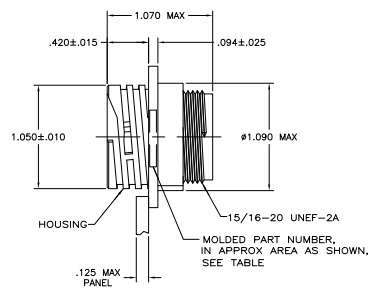
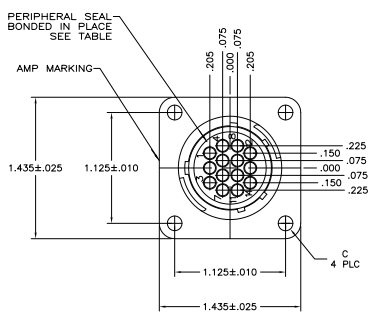


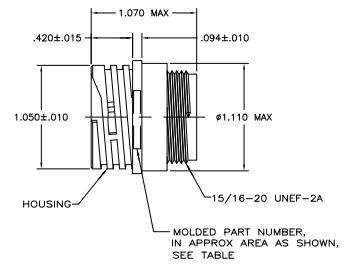
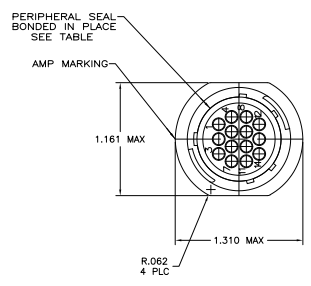
THIS DRAWING IS UNPUBLISHED
 ALL RIGHTS RESERVED

REV	DATE	DESCRIPTION	BY	APP
R2		REVISED PER ECD-11-004587	11MMH11	RK HMR



DETAIL A

RECOMMENDED PANEL CUTOUT



DETAIL B

- NOTES:
1. CAVITY IDENTIFICATION ON FRONT AND REAR FACE.
 2. WILL ACCEPT FOURTEEN (14) MULTIMATE SOCKET CONTACTS.
- ⚠ PRELIMINARY PART NUMBER.
- ⚠ OBSOLETE PARTS: OBSOLETE CIS STREAMLINING PER D.RENAUD/D.SINISI

DESCRIPTION	STANDARD	PERIPHERAL SEAL	SEE DETAIL	PART NO.
4-40 THREADED INSERTS	STANDARD	YES	A	206043-8
φ.150	SMALL PACK	NO	A	206043-6
—	STANDARD	YES	B	206043-5
φ.150	STANDARD	YES	A	206043-4
—	STANDARD	NO	B	206043-3
φ.150	STANDARD	NO	A	206043-1
DIM C	MOLDED PART NUMBER	PACKAGING	PERIPHERAL SEAL	SEE DETAIL

THIS DRAWING IS A CONTROLLED DOCUMENT.		TE CONNECTIVITY
REVISIONS	DATE	DESCRIPTION
1	108-10024	RECEPTACLE ASSEMBLY, REVERSE SEX, SERIES 1, 17-14, CPC
2		
3		
4		
5		
6		
7		
8		
9		
10		
11		
12		
13		
14		
15		
16		
17		
18		
19		
20		
21		
22		
23		
24		
25		
26		
27		
28		
29		
30		
31		
32		
33		
34		
35		
36		
37		
38		
39		
40		
41		
42		
43		
44		
45		
46		
47		
48		
49		
50		
51		
52		
53		
54		
55		
56		
57		
58		
59		
60		
61		
62		
63		
64		
65		
66		
67		
68		
69		
70		
71		
72		
73		
74		
75		
76		
77		
78		
79		
80		
81		
82		
83		
84		
85		
86		
87		
88		
89		
90		
91		
92		
93		
94		
95		
96		
97		
98		
99		
100		