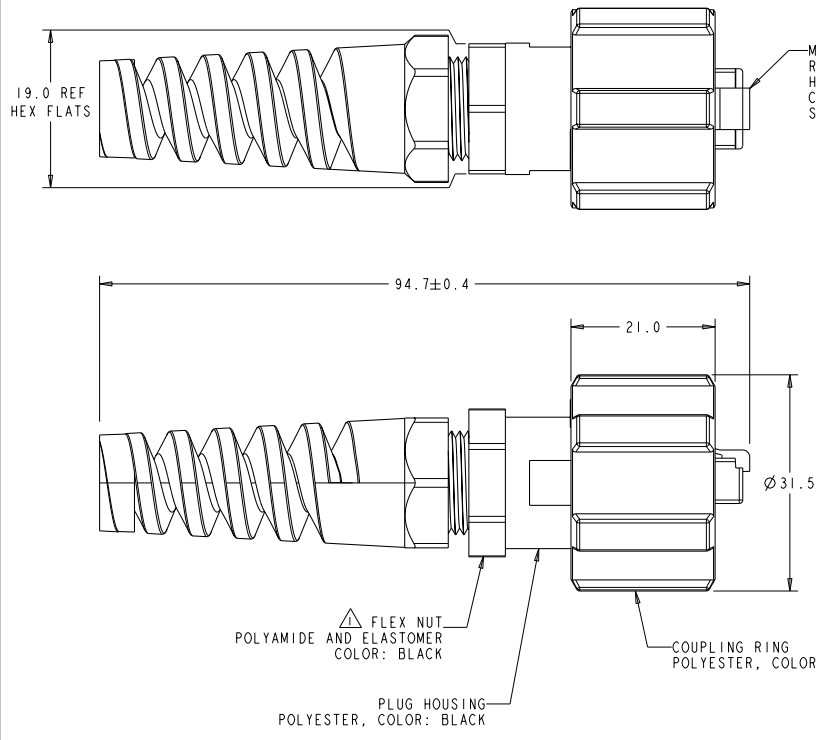
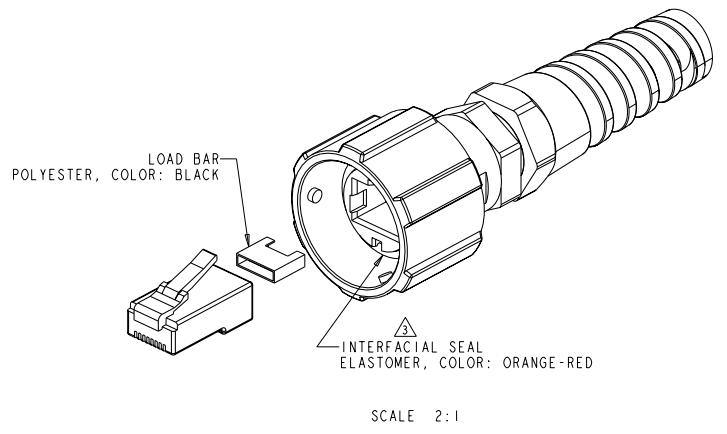


LOC	DIST	REVISIONS				
FT	0	REV	DESCRIPTION	DATE	BY	APPD
		1		25JUL2008	SS	MS



MODULAR PLUG ASSEMBLY
 RJ-45, 8 POSITION-SEE TABULATION BELOW
 HOUSING - CLEAR POLYCARBONATE
 CONTACTS - PHOSPHOR BRONZE, GOLD OVER NICKEL
 SHIELD - COPPER ALLOY W/ SEMI-BRIGHT NICKEL PLATE (-3 & -4 ONLY)



SCALE 2:1

THIS PRINT IS
PRELIMINARY
 UNQUALIFIED PRODUCT
 CONTACT PRODUCT ENGINEERING
 BEFORE USING THIS PRINT

- △ CABLE DIAMETER RANGE, 4.9 mm TO 7.9 mm. CABLE FITTING ONLY, SEE APPLICATION SPECIFICATION FOR PLUG TERMINATION INFORMATION
- 2. PARTS PACKAGED UNASSEMBLED IN POLYBAG.
- △ ELASTOMER SEAL IS SECURED TO HOUSING WITH ADHESIVE.

DESCRIPTION	CONDUCTOR TYPE	PART NUMBER
UNSHIELDED	24 AWG STRANDED	1986456-2
	24 AWG SOLID	1986456-1

DIMENSIONS: mm 		TO DRAWING REVISED: 0 PLC #0.3 1 PLC #0.2 2 PLC #0.10 3 PLC #0.1 4 PLC #0.1 ANGLES #10	DATE: 25JUL2008 BY: S. SCHLEGEL CHECKED: M. STRECKEWEALD APPROVED: M. STRECKEWEALD PRODUCT SPEC: 108-2198 APPLICATION SPEC: 114-13136	SHEET: A2 CASE CODE: 00779 DRAWING NO: 1986456	RESTRICTED TO:
MATERIAL: -		WEIGHT: -		CUSTOMER DRAWING	