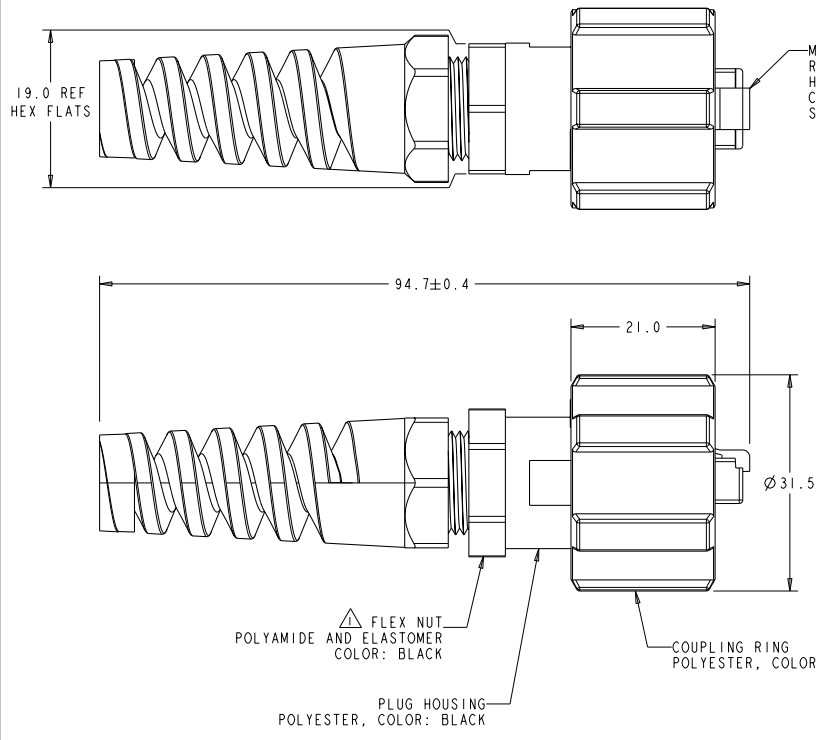
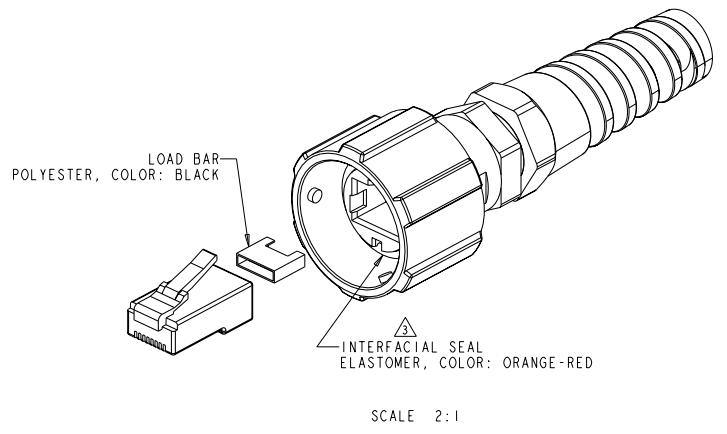


LOC	DIST	REVISIONS				
FT	0	REV	DESCRIPTION	DATE	BY	APPD
		1		25JUL2008	SS	MS



MODULAR PLUG ASSEMBLY
 RJ-45, 8 POSITION-SEE TABULATION BELOW
 HOUSING - CLEAR POLYCARBONATE
 CONTACTS - PHOSPHOR BRONZE, GOLD OVER NICKEL
 SHIELD - COPPER ALLOY W/ SEMI-BRIGHT NICKEL PLATE (-3 & -4 ONLY)



SCALE 2:1

THIS PRINT IS
PRELIMINARY
 UNQUALIFIED PRODUCT
 CONTACT PRODUCT ENGINEERING
 BEFORE USING THIS PRINT

- △ CABLE DIAMETER RANGE, 4.9 mm TO 7.9 mm. CABLE FITTING ONLY, SEE APPLICATION SPECIFICATION FOR PLUG TERMINATION INFORMATION
- 2. PARTS PACKAGED UNASSEMBLED IN POLYBAG.
- △ ELASTOMER SEAL IS SECURED TO HOUSING WITH ADHESIVE.

DESCRIPTION	CONDUCTOR TYPE	PART NUMBER
UNSHIELDED	24 AWG STRANDED	1986456-2
	24 AWG SOLID	1986456-1

DIMENSIONS:		DATE: 25JUL2008		DRAWN: S. SCHLEGEL	
mm		DATE: 25JUL2008		CHECKED: M. STRECKEWEALD	
0 PLC #0.3		DATE: 25JUL2008		APPROVED: M. STRECKEWEALD	
1 PLC #0.2		PRODUCT SPEC		108-2198	
2 PLC #0.10		APPLICATION SPEC		114-13136	
3 PLC #0.1		WEIGHT		A2 00779	
4 PLC #0.1		MATERIAL		SCALE 5:2	
ANGLES		FINISH		SHEET 1 OF 1	
		CUSTOMER DRAWING		REV 1	