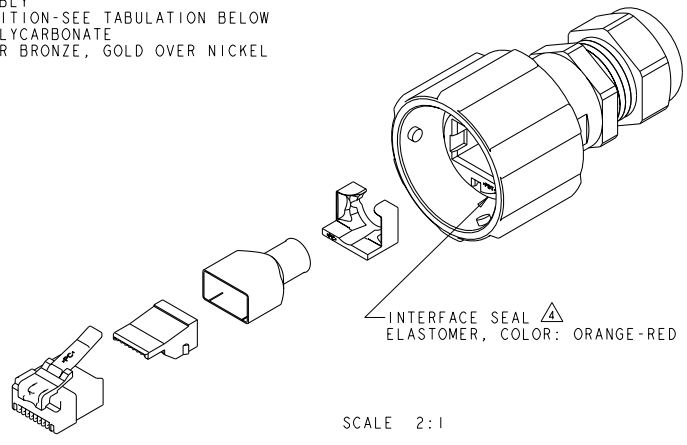
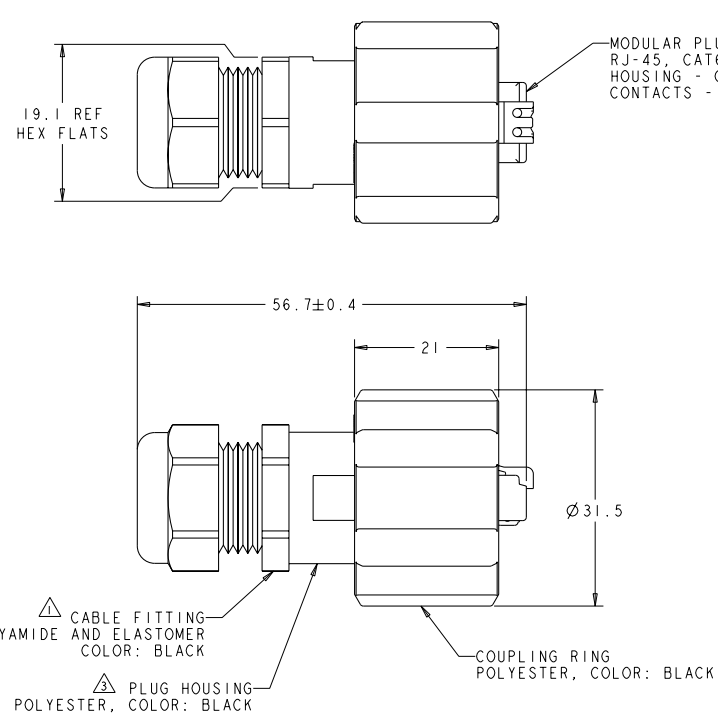


LOC	DIST	REVISIONS					
FT	0	P	LYR	DESCRIPTION	DATE	BY	APPR
		1	-		17JAN2008	SS	MS



THIS PRINT IS  
**PRELIMINARY**  
UNQUALIFIED PRODUCT  
CONTACT PRODUCT ENGINEERING  
BEFORE USING THIS PRINT

- △ CABLE DIAMETER RANGE, 5mm TO 6mm, SEE APPLICATION SPECIFICATION FOR PLUG TERMINATION INFORMATION.
- 2. PARTS PACKAGED UNASSEMBLED IN POLYBAG.
- △ GEOMETRY CAN VARY.
- △ ELASTOMER SEAL IS SECURED TO HOUSING WITH ADHESIVE.

24-26 AWG STRANDED	1986347-2
24-26 AWG SOLID	1986347-1
CONDUCTOR TYPE	PART NUMBER

DIMENSIONS: mm TO DIMENSIONS: mm OPERATING SPECIFICATIONS:		0 PLC 20- 1 PLC 20-5 2 PLC 20-13 3 PLC 20-013 4 PLC 20-008 ANGLES FINISH	0 PLC 20- 1 PLC 20-5 2 PLC 20-13 3 PLC 20-013 4 PLC 20-008 ANGLES FINISH	WEIGHT CUSTOMER DRAWING	DATE: 6JAN2008 BY: S. SCHLEGEL CHECKED: M. STRECKWALD APPROVED: M. STRECKWALD PRODUCT SPEC APPLICATION SPEC SHEET: A200779 CASE CODE: C-1986347 DRAWING NO: 1986347	Tyco Electronics Marketlands, PA 17105-3608 <b>PRELIMINARY</b> PLUG KIT INDUSTRIAL ODVA ETHERNET CONNECTOR CAT6 RESTRICTED TO
--	--	--	--	----------------------------	---	---