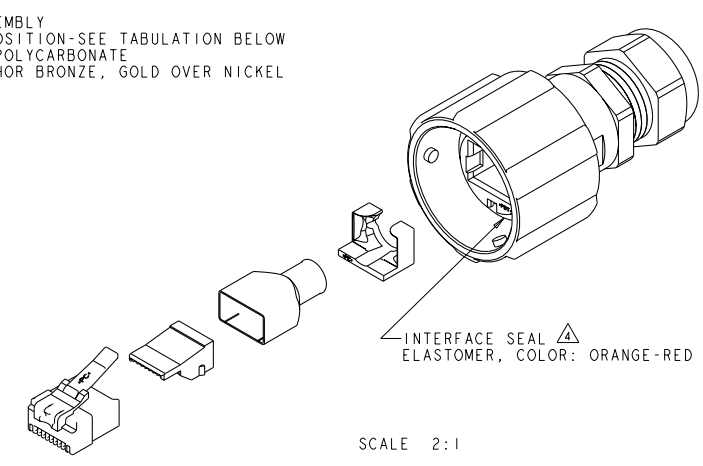
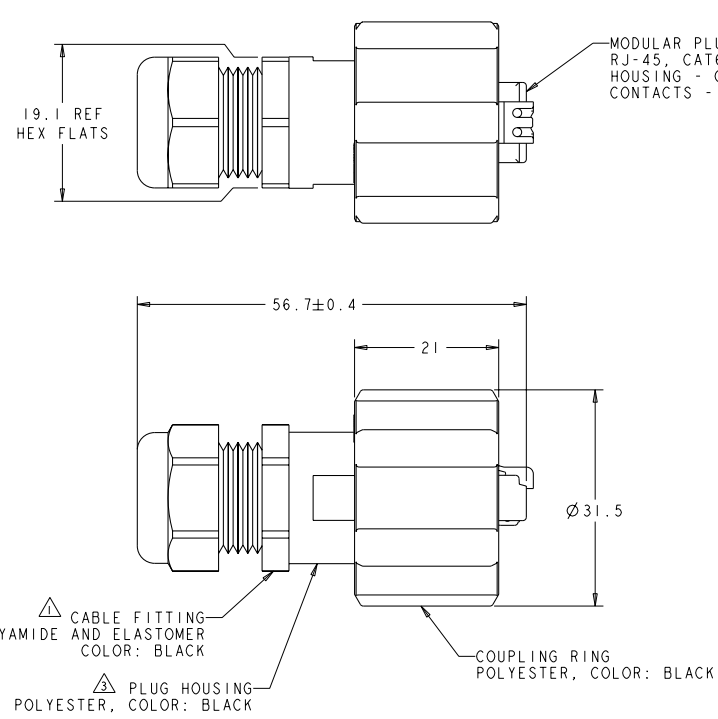


LOC	DIST	REVISIONS					
FT	0	P	LYR	DESCRIPTION	DATE	SN	APVS
		1	-		17JAN2008	SS	MS



THIS PRINT IS  
**PRELIMINARY**  
UNQUALIFIED PRODUCT  
CONTACT PRODUCT ENGINEERING  
BEFORE USING THIS PRINT

- △ CABLE DIAMETER RANGE, 5mm TO 6mm, SEE APPLICATION SPECIFICATION FOR PLUG TERMINATION INFORMATION.
- 2. PARTS PACKAGED UNASSEMBLED IN POLYBAG.
- △ GEOMETRY CAN VARY.
- △ ELASTOMER SEAL IS SECURED TO HOUSING WITH ADHESIVE.

24-26 AWG STRANDED	1986347-2
24-26 AWG SOLID	1986347-1
CONDUCTOR TYPE	PART NUMBER

DIMENSIONS: mm 0 PLC 80- 1 PLC 80-5 2 PLC 80-13 3 PLC 80-013 4 PLC 80-008 ANGLES FINISH		TO DRAWING ONLY: OPERATIVE SPECIFICATIONS PRODUCT SPEC APPLICATION SPEC WEIGHT CUSTOMER DRAWING	DATE: 6JAN2008 BY: S. SCHLEGEL CHK: M. STRECKWALD APPR: M. STRECKWALD NAME: M. STRECKWALD PRODUCT SPEC APPLICATION SPEC WEIGHT CUSTOMER DRAWING	TITLE: PLUG KIT CASE CODE: A200779 DRAWING NO: 1986347 SHEET: 1 OF 1 SCALE: 5:2	Tyco Electronics Marketlands, PA 17105-3608 <b>PRELIMINARY</b> INDUSTRIAL ODVA ETHERNET CONNECTOR CAT6 RESTRICTED TO
--	--	--	---	---	---