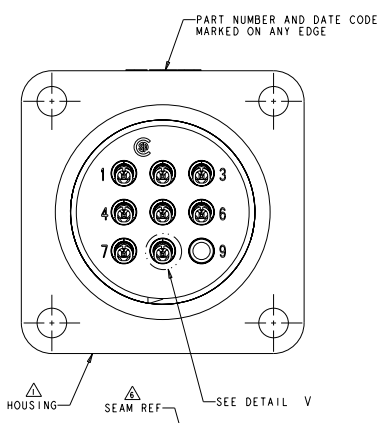
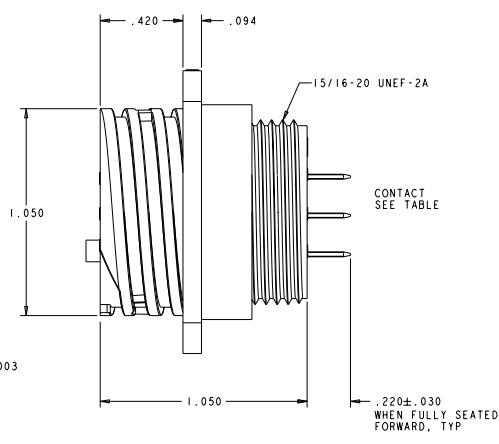
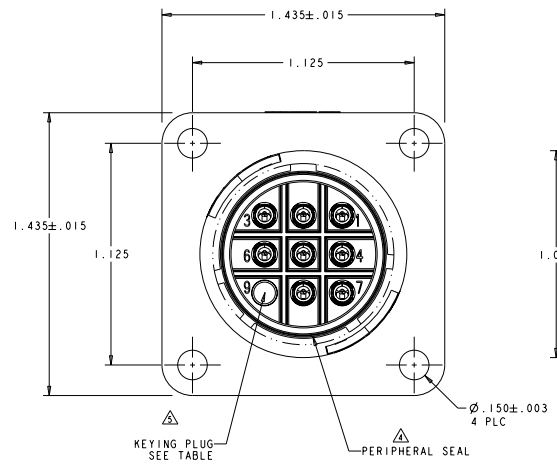
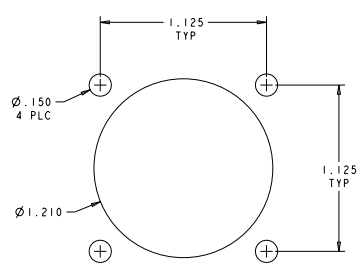
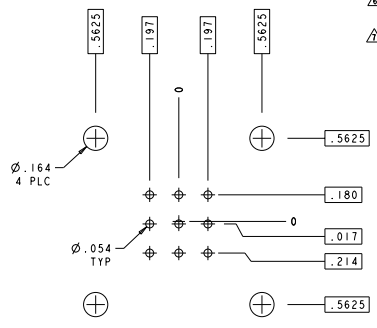
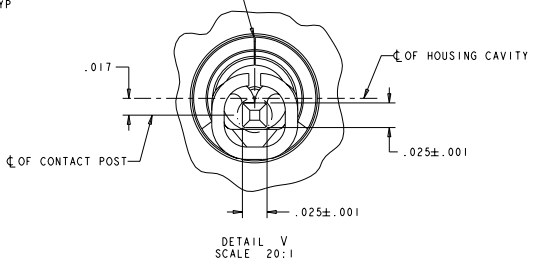


REVISIT		REVISIONS			
NO	DATE	DESCRIPTION	BY	CHK	APP
P	0	ADDED 1-2, 1-3 ECD-04-002410	SPENMAN	SM	SM
PT		REVISED PER ECD-99-025689	TRICORNER	KK	KEG



- △ HOUSING: NYLON, UL 94 V-0 RATED, BLACK.
- △ CONTACT:  
BODY - BRASS, .000100 MIN TIN-LEAD OVER .000050 MIN NICKEL.  
POST - BRASS, .000100 MIN TIN-LEAD OVER .000050 MIN NICKEL.
- △ CONTACT:  
BODY - BRASS, .000100 MIN TIN OVER .000050 MIN NICKEL.  
POST - BRASS, .000100 MIN TIN OVER .000050 MIN NICKEL.
- △ PERIPHERAL SEAL: ELASTOMER, GRAY.
- △ KEYING PLUG: NYLON, NATURAL.
- △ .009 MAXIMUM CONTACT LEAD-IN SEAM GAP PERMISSIBLE ON MATING FACE END.
- △ OBSOLETE PARTS: OBSOLETE CIS STREAMLINING PER D.RENAUD/D.SINISI



RECOMMENDED PC BOARD LAYOUT  
SCALE 3:1

RECOMMENDED PANEL LAYOUT  
.125 MAX PANEL THICKNESS  
SCALE 3:1

△ POSN 9	△ YES	△ 8	△ 1-8	△ 1-213826-3
-	YES	8	1-5-7-9	1-213826-2
-	YES	9	ALL	1-213826-1
△ POSN 9	YES	8	1-8	1-213826-0
-	YES	8	1-5-7-9	213826-9
△ POSN 9	YES	8	1-8	213826-8
-	YES	8	1-5-7-9	213826-7
△ POSN 9	YES	8	1-8	213826-3
-	YES	8	1-5-7-9	213826-2
-	YES	9	ALL	213826-1

KEYING PLUG	PERIPHERAL SEAL	FINISH	QTY	SELECT LOAD IN POSITIONS	PART NUMBER

23MAY2003  
 23MAY2003  
 108-10024  
 116-10006  
 00778 ©=213826  
 RECEPTACLE ASSEMBLY, POSTED, REVERSE SEX, SERIES 1, 17-9, CPC  
 CUSTOMER DRAWING