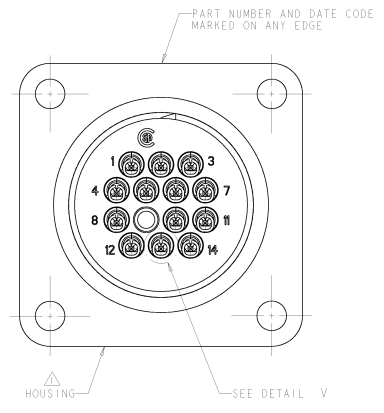
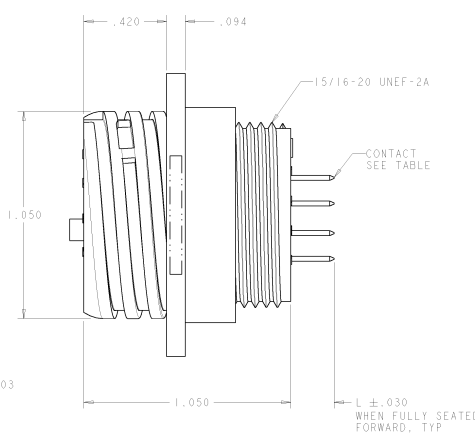
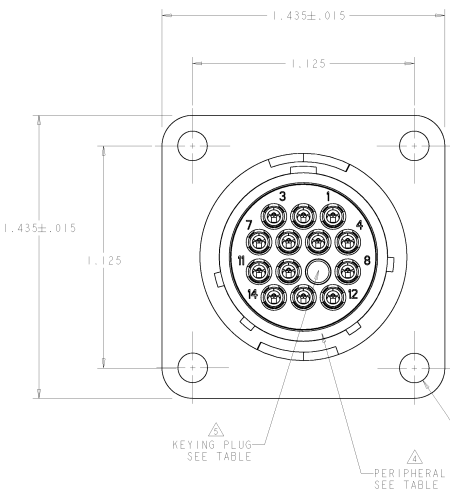
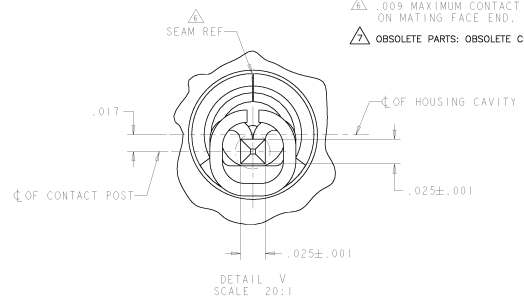


REV	DATE	DESCRIPTION	BY	CHKD	APPD
L	08/15/00	REVISED EC 0638-0830-03	060804H	0A	0E
M	08/15/00	REVISED EC 0638-0224-04	060804H	0A	0E
N	08/15/00	REVISED EC 0638-0003-05	060804H	0A	0E
P	1-7, 1-8	ECO-06-002410	190804H	0A	0E
P1		REVISED PER ECO-06-025699	200404H	KK	MM



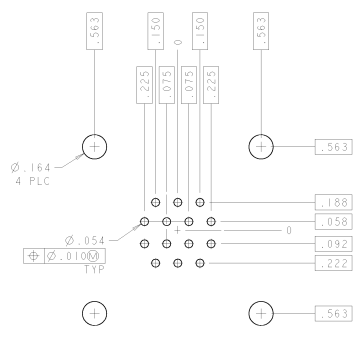
- △ HOUSING: NYLON, UL 94 V-0 RATED, BLACK.
- △ CONTACT:
 BODY - BRASS, .000100 MIN TIN-LEAD OVER .000050 MIN NICKEL.
 POST - BRASS, .000100 MIN TIN-LEAD OVER .000050 MIN NICKEL.
- △ CONTACT:
 BODY - BRASS, .000100 MIN TIN OVER .000050 MIN NICKEL.
 POST - BRASS, .000100 MIN TIN OVER .000050 MIN NICKEL.
- △ PERIPHERAL SEAL: ELASTOMER, GRAY.
- △ KEYING PLUG: NYLON, NATURAL.
- △ .009 MAXIMUM CONTACT LEAD-IN SEAM GAP PERMISSIBLE ON MATING FACE END.
- △ OBSOLETE PARTS: OBSOLETE CIS STREAMLINING PER D.RENAUD/D.SINISI



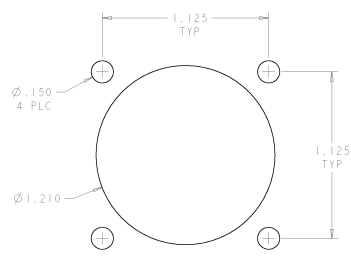
STATUS	L	KEYING PLUG	PERIPHERAL SEAL	FINISH	QTY	SELECT LOAD IN POSITIONS	PART NUMBER
				△	13	1-5, 7-14	1-213825-8
				△	14	ALL	1-213825-7
△ OBSOLETE				△	11	1, 3, 4, 6, 8-14	1-213825-5
△ OBSOLETE				△	13	1-8, 10-14	1-213825-6
△ OBSOLETE				△	13	1-5, 7-14	1-213825-3
PRELIMINARY				△	12	1, 2, 4, 5, 7-14	1-213825-3
				△	13	1-8, 10-14	1-213825-2
△ OBSOLETE				△	13	1-5, 7-14	1-213825-2
				△	13	1-5, 7-14	1-213825-0
				△	11	1, 3, 4, 6, 8-14	213825-9
△ OBSOLETE				△	13	1-8, 10-14	1-213825-5
△ OBSOLETE				△	13	1-5, 7-14	213825-4
△ OBSOLETE				△	13	1-5, 7-14	1-213825-3
△ OBSOLETE				△	11	1, 3, 4, 6, 8-14	1-213825-3
				△	14	ALL	213825-1

INCHES MILLIMETERS PLUG POST SEAL	ALL DIMENSIONS UNLESS OTHERWISE SPECIFIED FINISH PLUG POST SEAL	MILLIGONS SEALING MILLIGONS SEALING	AMP THE ELECTRONICS CORPORATION HARRISBURG, PA 17105-8800 RECEPTACLE ASSEMBLY, POSTED, SERIES 1, REVERSE SEAL, CPC PART 1 ENG 006 (REV) 02 A 00778 (C)-213825 CUSTOMER DRAWING
---	---	--	--

REV. NO.				REVISIONS			
REV.	DATE	DESCRIPTION	BY	CHKD.	APP'D.	DATE	BY
0		SEE SHEET 1					



RECOMMENDED PC BOARD LAYOUT
SCALE 3:1



RECOMMENDED PANEL LAYOUT
.125 MAX PANEL THICKNESS
SCALE 3:1

TERRY ELECTRONICS CORPORATION PLYMOUTH, PENNSYLVANIA		DATE MANUFACTURED BY: 01/15/2003 REVISIONS FOR IDENTIFICATION: 01		BY: TERRY ELECTRONICS CORPORATION, PLYMOUTH, PENNSYLVANIA	
MATERIAL: FINISH:		PART NO.: 238472003 REV: 00 QUANTITY: 1000		CUSTOMER DRAWING: A 00778 (2)-213825	
INCHES: MILLIMETERS:		DRAWN BY: CHECKED BY: APPROVED BY:		DATE: TIME:	