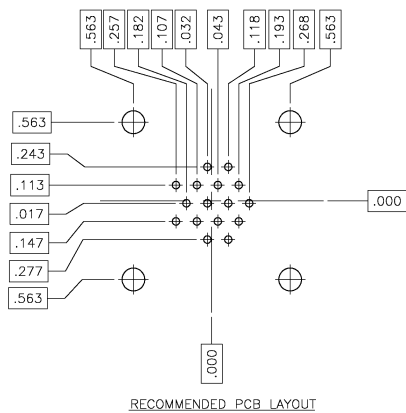
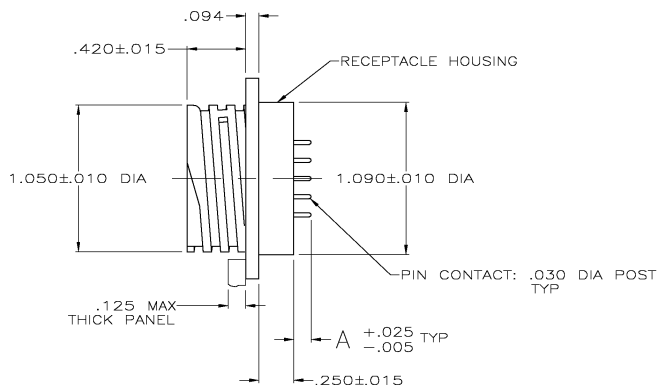
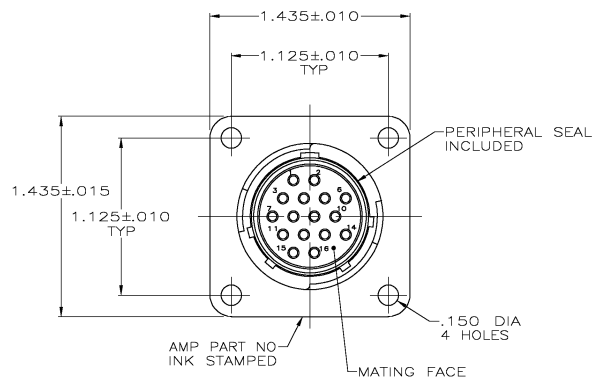


4 3 2 1

THIS DRAWING IS UNPUBLISHED. RELEASED FOR PUBLICATION. BY TYCO ELECTRONICS CORPORATION. ALL RIGHTS RESERVED.

LOC	DIST	REVISIONS			
P	LTR	DESCRIPTION	DATE	MIN	APPRO
FT	0				
F		REVISED PER 0638-0147-03	5/23/03	SS	SH



PRELIMINARY	.175	Δ	207292-4
	.175	Δ	207292-3
	.125	Δ	207292-2
	.125	Δ	207292-1
A	FINISH		PART NUMBER

- Δ NYLON, UL 94V-0 RATED, BLACK.
- Δ BRASS.
- Δ .000100 MIN TIN PER MIL-T-10727 OVER NICKEL FLASH PER QQ-N-290.
- Δ .000030 MIN GOLD PER MIL-C-45204 OVER .000030 MIN NICKEL PER QQ-N-290.

THIS DRAWING IS A CONTROLLED DOCUMENT.		DN	J. GALLUCCI	3-22-91	Tyco Electronics Corporation Harrisburg, PA 17105
DIMENSIONS: INCHES		OK	S. STONE	3-4-92	
MATERIAL: RECEPT HOUSING: Δ		FINISH: Δ		PRODUCT SPEC: Δ	
PIN CONTACT: Δ		APPLICATION SPEC: Δ		WEIGHT: Δ	
FINISH: Δ		MATERIAL: Δ		MATERIAL: Δ	
PIN CONTACT: SEE TABLE		MATERIAL: Δ		MATERIAL: Δ	
CUSTOMER DRAWING		SCALE: 2:1		SHEET 1 of 1 REV F	

H:\4m_mod\

207292

B

A