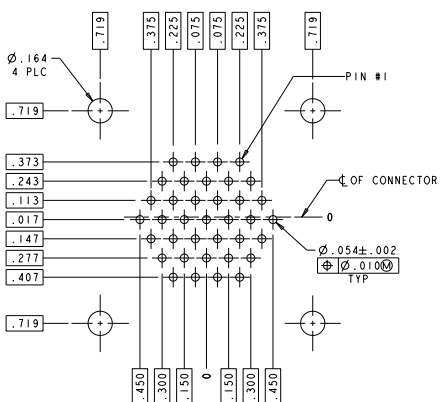
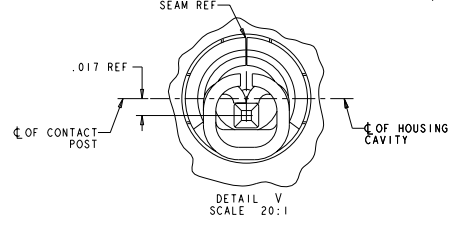
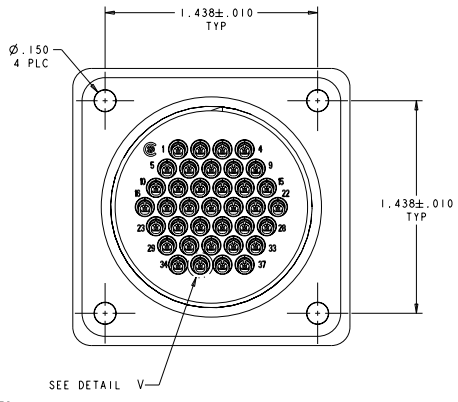
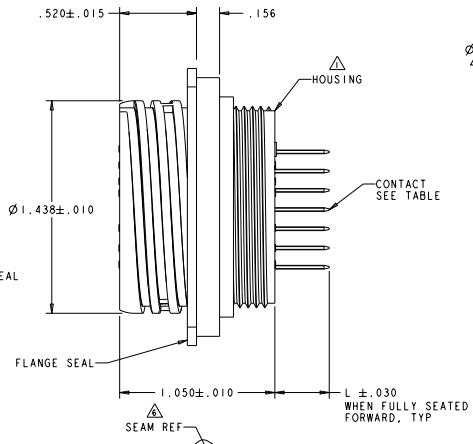
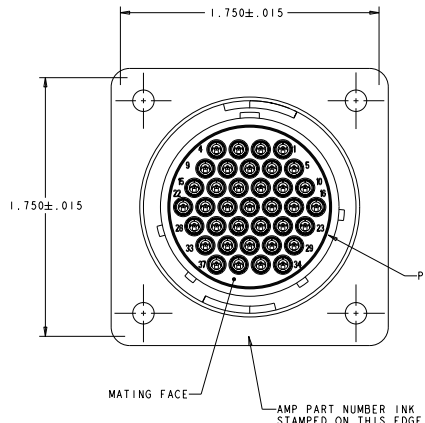


REV	DESCRIPTION	DATE	BY	CHKD
1	REVISED PER ECO-11-005027			



- △ HOUSING: THERMOPLASTIC, COLOR: BLACK.
- △ PERIPHERAL SEAL: ELASTOMER, COLOR: GRAY.
- △ CONTACT:
 BODY - BRASS, .000030 MIN GOLD FOR A LENGTH OF .200 MIN FROM MATING END, GOLD FLASH ON REMAINDER, BOTH OVER .000050 MIN NICKEL.
 POST - BRASS, .000100 MIN TIN-LEAD OVER .000100 MIN COPPER.
- △ CONTACT:
 BODY - BRASS, .000100 MIN TIN-LEAD OVER .000050 MIN NICKEL.
 POST - BRASS, .000100 MIN TIN-LEAD OVER .000100 MIN COPPER.
- △ CONTACT:
 BODY - BRASS, .000100 MIN TIN OVER .000050 MIN NICKEL.
 POST - BRASS, .000100 MIN TIN OVER .000050 MIN NICKEL.
- △ .009 MAXIMUM CONTACT LEAD-IN SEAM GAP PERMISSIBLE ON MATING FACE END.
- △ CONTACT:
 BODY - BRASS, .000030 MIN GOLD FOR A LENGTH OF .200 MIN FROM MATING END, GOLD FLASH ON REMAINDER, BOTH OVER .000050 MIN NICKEL.
 POST - BRASS, .000100 MIN TIN OVER .000100 MIN COPPER.
- △ CONTACT:
 BODY - BRASS, .000100 MIN TIN OVER .000050 MIN NICKEL.
 POST - BRASS, .000100 MIN TIN OVER .000100 MIN COPPER.
- △ FLANGE SEAL: ELASTOMER, COLOR: BLACK.

YES	YES	.368	△	1-17, 19-37	2-208224-5
NO	NO	.557	△	1-9, 11-31, 33-37	2-208224-4
NO	YES	.557	△	ALL	2-208224-3
NO	NO	.368	△	ALL	2-208224-2
NO	NO	.557	△	ALL	2-208224-1
NO	YES	.368	△	1-10, 12-29, 31-37	1-208224-8
NO	YES	.368	△	4, 8, 10, 23, 31, 34-36	1-208224-7
NO	YES	.368	△	1-10, 12-29, 31-37	1-208224-6
NO	YES	.368	△	1-22, 24-37	1-208224-5
NO	NO	.368	△	ALL	1-208224-3
NO	YES	.368	△	1-10, 12-29, 31-37	1-208224-2
NO	YES	.368	△	1-22, 24-37	1-208224-1
NO	NO	.368	△	ALL	208224-9
NO	YES	.368	△	1-22, 24-37	208224-5
NO	YES	.368	△	4, 8, 10, 23, 31, 34-36	208224-4
NO	YES	.368	△	1-10, 12-29, 31-37	208224-3
NO	NO	.368	△	ALL	208224-2
NO	NO	.557	△	ALL	208224-1

RECOMMENDED PC BOARD LAYOUT

THIS DRAWING IS A CONTROLLED DOCUMENT. DATE: 20FEB2007

INCHES: 0.0001/0.0005/0.0010/0.0020/0.0050/0.0100/0.0150/0.0300/0.0500/0.1000/0.1500/0.3000/0.5000/1.0000

DATE: 20FEB2007

RECEPTACLE ASSEMBLY, POSTED, REVERSE SEX, SERIES 1, 23-37, CPC

STATE: CA CASE CODE: 00000000

00779@208224

CUSTOMER DRAWING