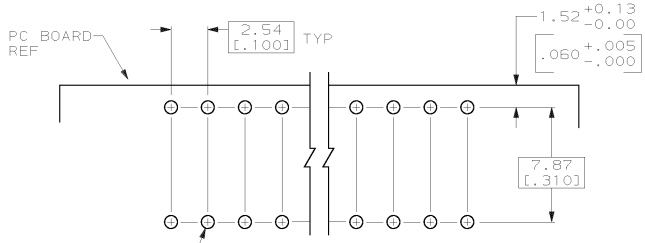
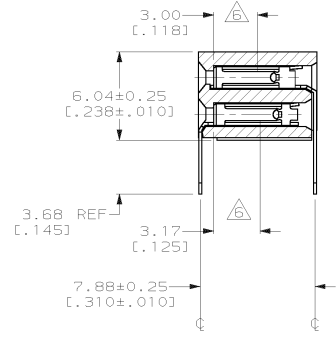
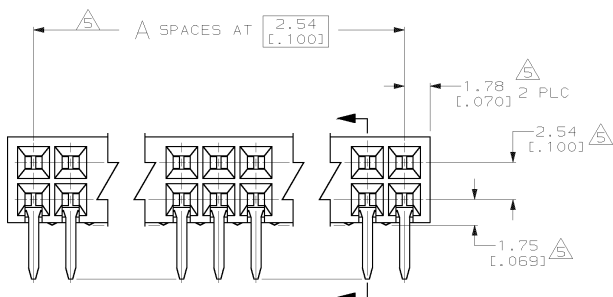
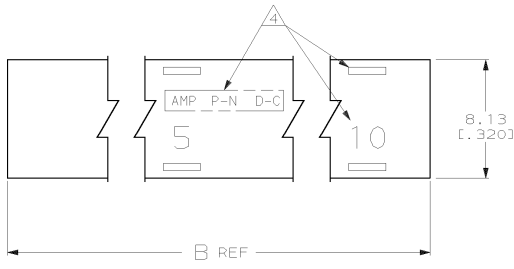


THIS DRAWING IS UNPUBLISHED. RELEASED FOR PUBLICATION .19 .
 © COPYRIGHT 19 BY AMP INCORPORATED. ALL INTERNATIONAL RIGHTS RESERVED.

LOC	DIST	P	F	ZONE	LTR	DESCRIPTION	DATE	APPD
DF	Z0							
						O RELEASED	-	-
						A REV PER A06281	8/24/92	RB
						B REV PER 0600-5131-96 TA	11-11-96	GA
						C REV PER 0600-8506-99 JEB	02-00	DM



RECOMMENDED PC BOARD LAYOUT
 $\phi .89 \pm 0.08$ TYP
 $[\phi .035 \pm .003]$
 $\phi .08 [L.003]$

- △ POLYPHENYLENE SULFIDE, GLASS-FILLED, COLOR-BROWN.
 - △ CONTACTS: PHOSPHOR BRONZE
 - △ .000050 GOLD OVER .000030 TO .000150 NICKEL ENTIRE CONTACT.
 - △ 'AMP', PART NUMBER AND DATE CODE .062 ±.015 HIGH CHARACTERS IN APPROXIMATE AREA SHOWN. CAVITY IDENT. MARKED EVERY FIFTH CAVITY.
 - △ THESE DIMENSIONS PERTAIN TO CAVITY CENTERLINES ONLY--NOT TO CONTACT LOCATIONS.
 - △ POINT-OF-MEASUREMENT DIMENSION FOR PLATING THICKNESS (INSIDE CONTACT BEAMS).
7. TESTING: PER MIL-C-55302/128, GROUP A AND B, IN ADDITION TO MATING AND UNMATING FORCE PER MIL-STD-1344 METHOD 2013.

95.00 [3.740]	36	72	535986-2
79.76 [3.140]	30	62	535986-1
B	A	NO OF POSN	PART NUMBER

PART NO			
DO NOT SCALE PRINT. UNLESS SPECIFIED DIMENSIONS IN INCHES TOLERANCES ON:		DR 03/19/91 KATE HELM	
2 PLC DEC ±		CHK 4/16/91 DIRK DIXON	
3 PLC DEC ± .005		APPD 4/16/91 DIRK DIXON	
ANGLES ± -		NAME AMP MODU MOD 11 RECEPTACLE ASSEMBLY	
MATERIAL		HORIZONTAL, .100± 2 ROW, CLOSED ENTRY, .145 SOLDER LEAD (.310±), PHOSPHOR BRONZE	
HOUSING: △		CONTACTS, .000050 DUPLEX PLATING, PPS HOUSING	
CONTACTS: △		PRODUCT SPEC -	
FINISH		APPLICATION SPEC -	
CONTACTS: △		SCALE 5:1	
WEIGHT -		SIZE C	
		FSCM NO 00779	
		DRAWING NO 535986	
		SHEET 1 OF 1	

CUSTOMER DRAWING