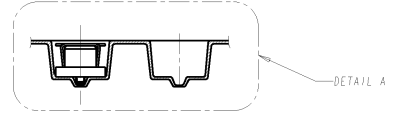
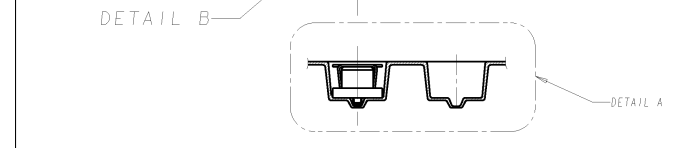
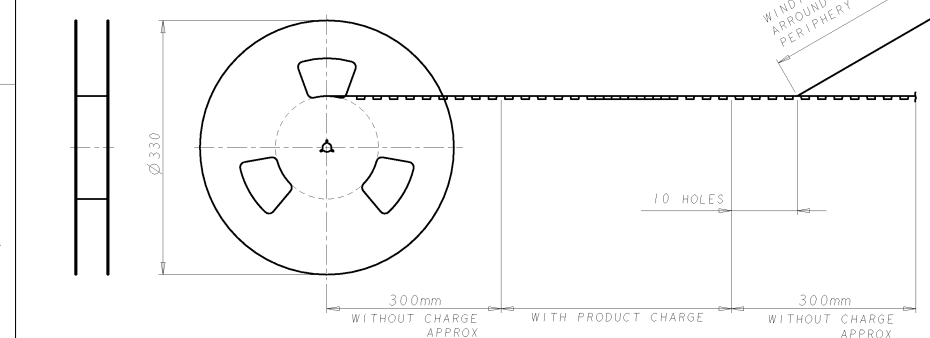


- NOTES:
- 1. MATERIAL: HOUSING: L.C.P. (HIGH TEMP THERMOPLASTIC) UL 94V-0, NATURAL. CONTACT: BERYLLIUM COPPER.
  - 2. FINISH: CONTACT AREA: 0.0002 MIN GOLD ON 0.0013 MIN ALL OVER NICKEL. SOLDERING AREA: 0.002 MIN MATTIE TIN.
  - 3. POSITION SERIES: SEE TABLE.
  - 4. CONN STACK HEIGHT COMBINE OF PLUG "Y" H VS REC "X" H. STACK HEIGHT = Y + X - 5
  - 5. FINISH: CONTACT AREA: 0.00038 MIN GOLD ON 0.0013 MIN ALL OVER NICKEL. SOLDERING AREA: 0.002 MIN MATTIE TIN.



WINDING THE COVER TAPE AROUND THE OUTER PERIPHERY IN A TURN.



FINISH	QTY	F	E	D	C	B	A	POS	CONN P/N	PART NO.		
15Ag-Sn		85.8	104	100.4	50.2	200	2-	A	-0	-0		
		77.8	104	100.4	50.2	180	1-	A	-9	-9		
		70.1	88	84.4	42.2	160	1-	A	-8	-8		
		61.8	88	84.4	42.2	140	1-	A	-6	-6		
		53.8	72	68.4	34.2	120	1-	A	-5	-5		
	700	16	45.8	72	68.4	34.2	100	1-	A	-4	-4	
		37.8	56	52.4	26.2	80	1-	A	-3	-3		
		29.8	44	40.4	20.2	60	1-	A	-2	-2		
	1000	12	17	21.8	32	28.4	14.2	40	1-	A	-1	-1
	08Ag-Sn		85.8	104	100.4	50.2	200	1-	A	-0	-0	
			77.8	104	100.4	50.2	180	1-	A	-9	-9	
			69.8	88	84.4	42.2	160	1-	A	-8	-8	
		61.8	88	84.4	42.2	140	1-	A	-6	-6		
		53.8	72	68.4	34.2	120	1-	A	-5	-5		
700		16	45.8	72	68.4	34.2	100	1-	A	-4	-4	
		37.8	56	52.4	26.2	80	1-	A	-3	-3		
		29.8	44	40.4	20.2	60	1-	A	-2	-2		
1000		12	17	21.8	32	28.4	14.2	40	5177983-1	5177985-1		

ENV. CLK. LEAD: 17MAY2004  
 CKY: ERIC TNG  
 DATE: 17MAY2004

**STE** TE Connectivity

RECEPTACLE ASSEMBLY 5H TYPE (0.5 BOSS LENGTH) FOR FH 0.8 B-T-B CONN. ON TAPING

PRODUCT SPEC: 108-5390  
 APPLICATION SPEC: 114-5254

SIZE: A2 CASE CODE: 00779 DRAWING NO: 5177985

WEIGHT: -

SCALE: 3:1 SHEET: 1 OF 1 REV: P