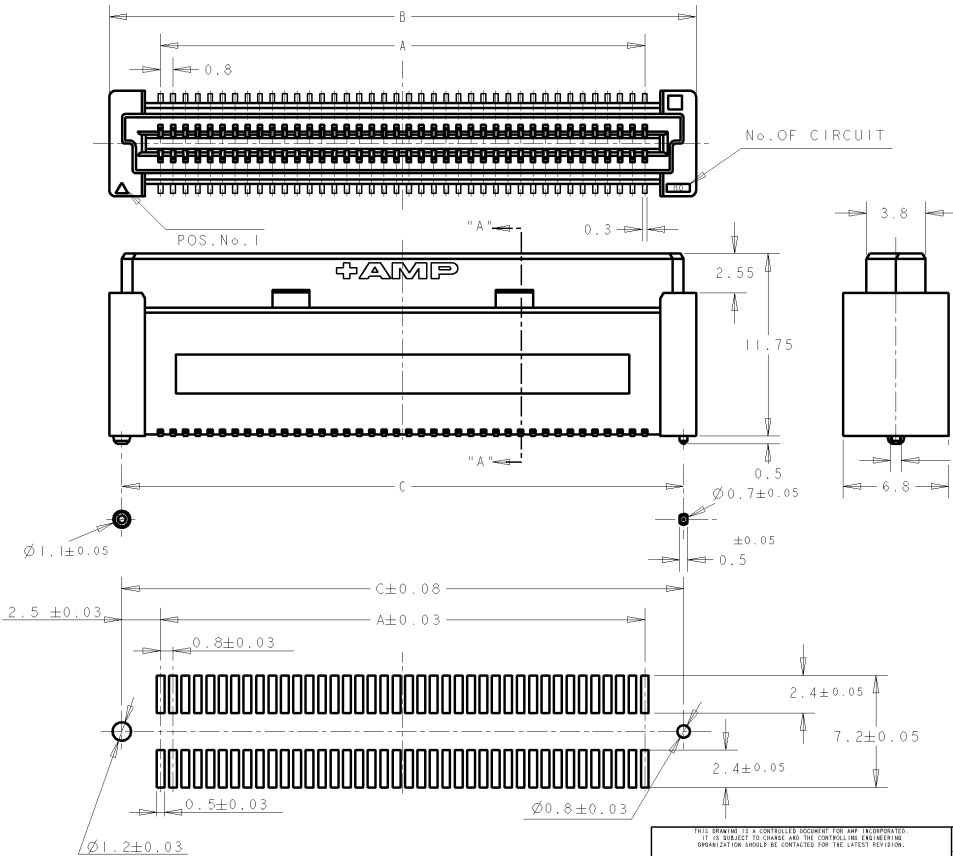
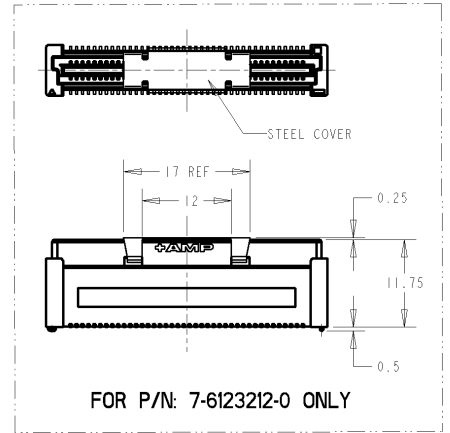


THIS DRAWING IS UNPUBLISHED. RELEASED FOR PUBLICATION .19  
 COPYRIGHT 19 BY AMP INCORPORATED. ALL RIGHTS RESERVED.

| LOC | DIST | REVISIONS                 |         |     |      |
|-----|------|---------------------------|---------|-----|------|
| F   | LTR  | DESCRIPTION               | DATE    | OWN | APVD |
| 01  |      | REVISED PER ECR-06-029208 | 14DEC06 | SYJ | LSF  |

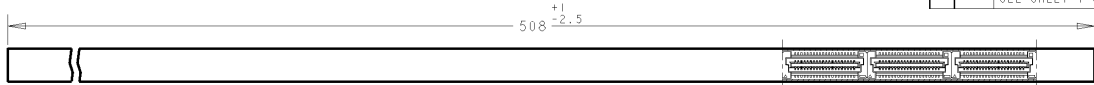


- NOTES:
- MATERIAL: HOUSING: L.C.P. (HIGH TEMP. THERMOPLASTIC)  
UL 94V-0, NATURAL.  
CONTACT: BERYLIUM COPPER.
  - FINISH: CONTACT AREA: 0.00076 MIN GOLD ON  
0.0013 MIN ALL OVER NICKEL.  
SOLDERING AREA: 0.002 MIN MATTE-TIN
  - POSITION SERIES: SEE TABLE. (SHEET 2)
  - CONN STACK HEIGHT COMBINE OF PLUG "Y" H VS REC "X" H.  
STACK HEIGHT = Y + X - 5
  - FOR STEEL COVER PICK AND PLACE VERSION,  
DESCRIPTION PRINTING ON TUBE IS:  
"REC ASS'Y (H=13mm), W/ STEEL COVER,  
0.8mm BTB STACKING CONN"



P/N SEE SHEET 2 OF 2

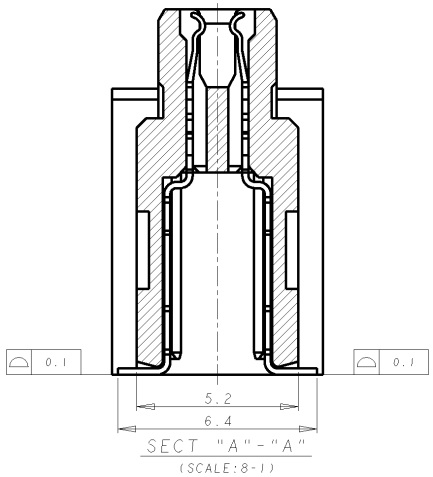
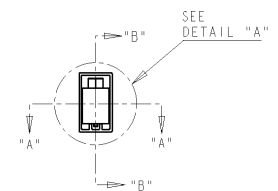
|   |   |  |   |
|---|---|--|---|
| <small>THIS DRAWING IS A CONTROLLED DOCUMENT FOR AMP INCORPORATED<br/>                 IT IS SUBJECT TO CHANGE AND THE CONTROLLING ENGINEERING<br/>                 ORGANIZATION SHOULD BE CONTACTED FOR THE LATEST REVISION.</small> |   | DWN 23AUG04<br>FLORENCE TAN<br>ERIC TNG<br>SF LEONG<br>NAME<br>REC ASSY<br>FOR FH 0.8 B-T-B CONNECTOR 13H<br>0.5 BOSS LENGTH (0.76um GOLD) | Tyco Electronics<br>(Singapore) Pte. Ltd.             |
| DIMENSIONS:<br>mm<br>   | TOLERANCES UNLESS<br>OTHERWISE SPECIFIED:<br>0 PLC ±<br>1 PLC ±0.30<br>2 PLC ±0.25<br>3 PLC ±0.20<br>4 PLC ±<br>ANGLES ±° | PRODUCT SPEC 108-5390<br>APPLICATION SPEC 114-5254<br>WEIGHT -   | DRAWING NO C-6123212<br>SCALE 4:1 SHEET 1 OF 2 REV 01 |
| MATERIAL 1  | FINISH 2  | CUSTOMER DRAWING   |   |



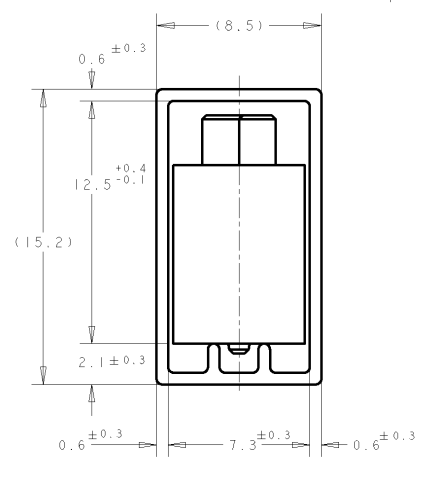
REFERENCE PICTURE OF TUBE PACK (WITHOUT STEEL COVER VERSION)



REC ASSY (YIH=13mm), 0.8mm BTB STACKING CONN

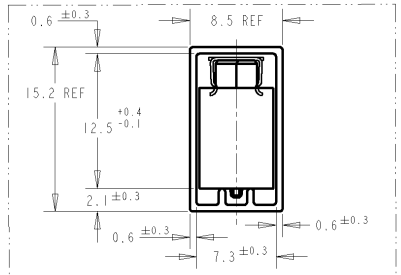


SECT "A" - "A" (SCALE: 8-1)



DETAIL "A" (SCALE 5-1)

|                     |        |       |       |     |      |          |
|---------------------|--------|-------|-------|-----|------|----------|
| WITH STEEL COVER    | 84.20  | 85.80 | 79.20 | 200 | 7-   | -0       |
|                     | 84.20  | 85.80 | 79.20 | 200 | 6-   | -0       |
|                     | 76.20  | 77.80 | 71.20 | 180 | 5-   | -9       |
|                     | 68.20  | 69.80 | 63.20 | 160 | 5-   | -8       |
|                     | 60.20  | 61.80 | 55.20 | 140 | 5-   | -6       |
| WITHOUT STEEL COVER | 52.20  | 53.80 | 47.20 | 120 | 5-   | -5       |
|                     | 44.20  | 45.80 | 39.20 | 100 | 5-   | -4       |
|                     | 36.20  | 37.80 | 31.20 | 80  | 5-   | -3       |
|                     | 28.20  | 29.80 | 23.20 | 60  | 5-   | -2       |
|                     | 20.20  | 21.80 | 15.20 | 40  | 5-   | 123212-1 |
| REMARKS             | STATUS | C     | B     | A   | POS. | PART No. |



FOR P/N: 7-6123212-0 ONLY

|  |   |   |   |
|--|---|---|---|
| THIS DRAWING IS A CONTROLLED DOCUMENT FOR AMP INCORPORATED<br>IT IS SUBJECT TO CHANGE AND THE CONTROLING ENGINEERING ORGANIZATION SHOULD BE CONTACTED FOR THE LATEST REVISION. |   | DWN 16SEP04<br>FLORENCE TAN<br>CHK ERIC TNG<br>APVD SF LEONG                        | <b>tyco</b><br>Electronics<br>Tyco Electronics<br>(Singapore) Pte. Ltd.             |
| DIMENSIONS:<br>mm  | TOLERANCES UNLESS OTHERWISE SPECIFIED:<br>0 PLC ±<br>1 PLC ±0.30<br>2 PLC ±0.25<br>3 PLC ±0.20<br>4 PLC ±<br>ANGLES ±3° | NAME<br>REC ASSY<br>FOR FH 0.8 B-T-B CONNECTOR 13H<br>0.5 BOSS LENGTH (0.76um GOLD) |   |
| MATERIAL 1   | FINISH 2  | PRODUCT SPEC 108-5390<br>APPLICATION SPEC 114-5254<br>WEIGHT -<br>CUSTOMER DRAWING  | SIZE A3<br>CAGE CODE 00779<br>DRAWING NO C-6123212<br>SCALE 4:1 SHEET 2 OF 2 REV 01 |