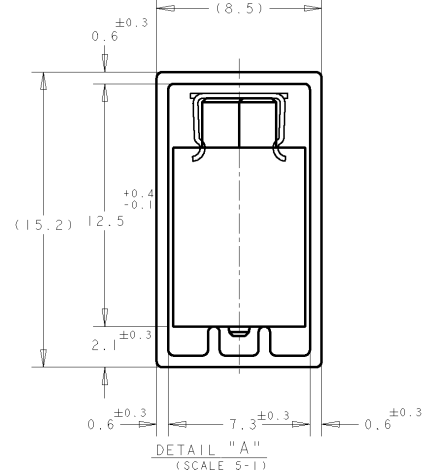
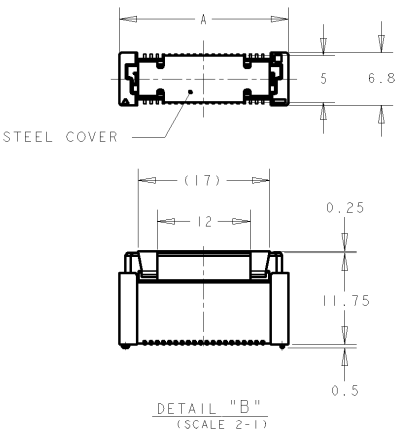
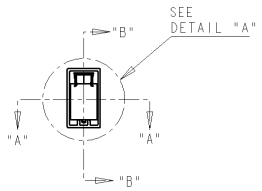
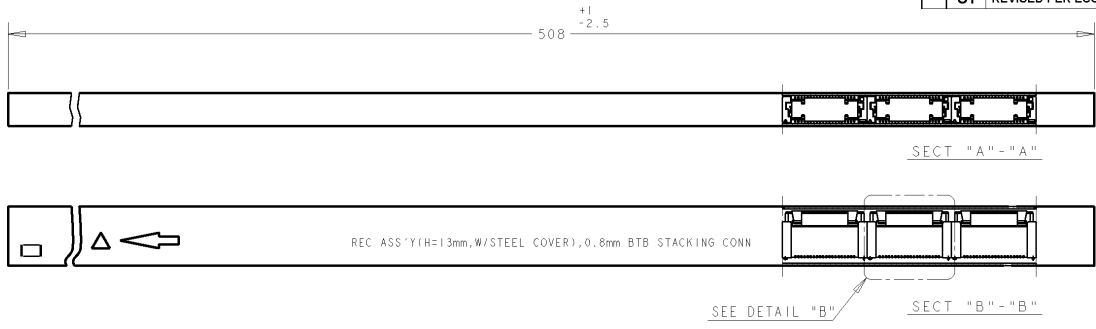


PROJ No. 593-312

THIS DRAWING IS UNPUBLISHED. RELEASED FOR PUBLICATION
 COPYRIGHT 19 BY AMP INCORPORATED. ALL RIGHTS RESERVED.

LOC	DIST	REVISONS					
FD	-	F	LTR	DESCRIPTION	DATE	DWN	APVD
		O1		REVISED PER ECO-10-000445	11JAN10	KK	AEG



- 1 OBSOLETE
- 1 OBSOLETE
- OBSOLETE

5	85.8	6-	-0	200	6-	-0
6	77.8	5-	-9	180	5-	-9
6	69.8	5-	-8	160	5-	-8
7	61.8	5-	-6	140	5-	-6
9	53.8	5-	-5	120	5-	-5
10	45.8	5-	-4	100	5-	-4
12	37.8	5-	-3	80	5-	-3
16	29.8	5-	-2	60	5-	-2
22	21.8	5-5179010-1		40	5-5179233-1	
QTY / TUBE	A	CONN P/N	POS.	PART NO.		

OBSOLETE PARTS: OBSOLETE CIS STREAMLINING PER D.RENAUD/D.SINISI

<small>THIS DRAWING IS A CONTROLLED DOCUMENT FOR AMP INCORPORATED IT IS SUBJECT TO CHANGE AND THE CONTROLING ENGINEERING ORGANIZATION SHOULD BE CONTACTED FOR THE LATEST REVISION.</small>		DWN 03SEP04 FLORENCE TAN CHK ERIC TNG APVD SE LEOHNG	tyco Electronics Tyco Electronics (Singapore) Pte. Ltd.
DIMENSIONS: mm	TOLERANCES UNLESS OTHERWISE SPECIFIED: 0 PLC ± 1 PLC ±0.20 2 PLC ±0.25 3 PLC ±0.30 4 PLC ± ANGLES ±° FINISH -	NAME REC ASS'Y 13H TYPE WITH STEEL COVER (TUBE PACK) FOR FH 0.8mm PITCH B-T-B CONNECTOR	SIZE A3 CAGE CODE 00779 DRAWING NO. C-5179233
MATERIAL	FINISH	CUSTOMER DRAWING	SCALE 1:1 SHEET 1 OF 1 REV 01

AMP 1470-19 REV 09MAT94
 P10/ENGINEER DRAWING