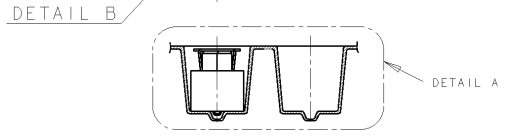
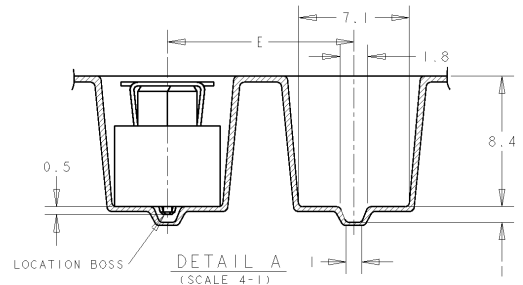
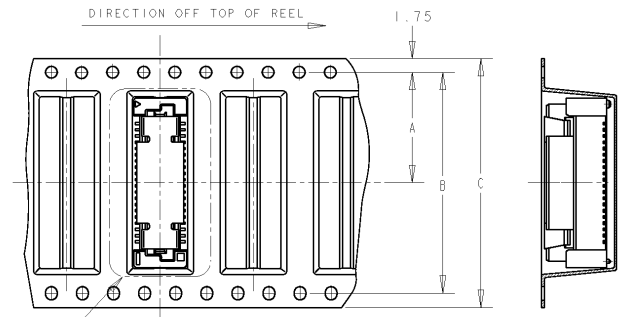
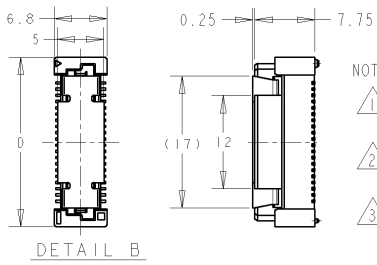
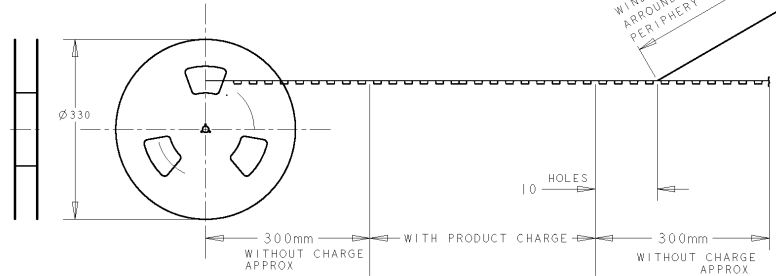


THIS DRAWING IS UNPUBLISHED. RELEASED FOR PUBLICATION .19  
 BY - ALL RIGHTS RESERVED.  
 COPYRIGHT 19

LOC	DIST	REVISIONS			
P	LTR	DESCRIPTION	DATE	DWN	APVD
1					
B1		REVISED PER ECO-11-005139	19MAR11	RK	HMR



WINDING THE COVER TAPE  
 AROUND THE OUTER  
 PERIPHERY IN A TURN.



- NOTES:
- 1 0.00076 MIN GOLD PLATING.  
(30u INCHES GOLD PLATING)
  - 2 0.00020 MIN GOLD PLATING.  
(Au FLASH PLATING)
  - 3 0.00038 MIN GOLD PLATING.  
(15u INCHES GOLD PLATING)

DIMENSIONS:		TOLERANCES UNLESS OTHERWISE SPECIFIED:	
mm			
0 PLC	±		
1 PLC	±0.2		
2 PLC	±0.25		
3 PLC	±0.3		
4 PLC	±		
ANGLES	±5°		
MATERIAL	-	FINISH	-

REMARKS	QTY	E	D	C	B	A	POS	CONN P/N	PART NO	
1	400	16	61.8	88	84.4	42.2	140	-6	7-	-6
	400	16	53.8	72	68.4	34.2	120	-5	7-	-5
	400	16	45.8	72	68.4	34.2	100	-4	7-	-4
	500	12	37.8	56	52.4	26.2	80	-3	7-	-3
	500	12	29.8	44	40.4	20.2	60	-2	7-	-2
2	400	16	61.8	88	84.4	42.2	140	5-	-6	5-
	400	16	53.8	72	68.4	34.2	120	5-	-5	5-
	400	16	45.8	72	68.4	34.2	100	5-	-4	5-
	500	12	37.8	56	52.4	26.2	80	5-	-3	5-
	500	12	29.8	44	40.4	20.2	60	5-	-2	5-
3	400	16	61.8	88	84.4	42.2	140	-6	3-	-6
	400	16	53.8	72	68.4	34.2	120	-5	3-	-5
	400	16	45.8	72	68.4	34.2	100	-4	3-	-4
	500	12	37.8	56	52.4	26.2	80	-3	3-	-3
	500	12	29.8	44	40.4	20.2	60	-2	3-	-2
								5-5179009-1	5-5179180-1	
								1735859-1	3-5179180-1	

DWN FLORENCE TAN 14SEP04	TE Connectivity	
CHK ERIC TNG		
APVD SF LEONG	NAME REC ASS'Y 9H TYPE (0.5 BOSS L) FOR FH 0.8mm B-T-B CONN, ON TAPING	
PRODUCT SPEC -	SIZE A3	CAGE CODE 00779
APPLICATION SPEC -	DRAWING NO 5-5179180	
WEIGHT -	SCALE 2:1 SHEET 1 OF 1 REV B1	
CUSTOMER DRAWING		

AMP 1470-19 REV 09MAY94