

4

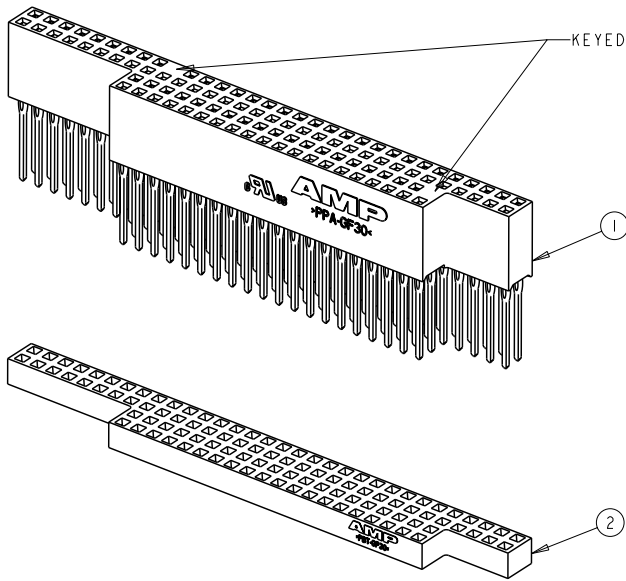
3

2

1

THIS DRAWING IS UNPUBLISHED. RELEASED FOR PUBLICATION 20
 © COPYRIGHT 20 BY TYCO ELECTRONICS CORPORATION. ALL RIGHTS RESERVED.

LOC	DIST	REVISIONS					
AD	00	P	LTR	DESCRIPTION	DATE	DWN	APVD
		O		REV PER EC 0G3C-0183-01	13JUN2001	MB	JO
		A		REV PER EC 0G3C-313-04	26AUG04	MB	JO
		B		0G3C-0184-05	31AUG2005	RB	JO
		BI		REVISED PER ECO-09-025699	08DEC2009	KK	AEG



- 1. COMPONENTS BULK PACKAGED.
- 2 1445441-1 & -3 (AS SHOWN) KEYED VERSION PER PC104 SPECIFICATION.
- 3 1445441-2 & -4 UNKEYED VERSION.
- 4 ROHS 2002/95/EC COMPLIANT PART TO BE USED WITH ROHS 2002/95/EC COMPLIANT PCB'S.
- 5 OBSOLETE PARTS: OBSOLETE CIS STREAMLINING PER D.RENAUD/D.SINISI

4 3	OBSOLETE	1445251-1	1375795-4	1445441-4
4 2	OBSOLETE	1445251-1	1375795-3	1445441-3
3		1445251-1	1375795-2	1445441-2
2		1445251-1	1375795-1	1445441-1
2	ORGANIZER QTY = 1	1	CONNECTOR ASSY QTY = 1	PART NUMBER

DIMENSIONS:		TOLERANCES UNLESS OTHERWISE SPECIFIED:		Tyco Electronics Corporation Harrisburg, PA 17105-3608	
mm		0 PLC	±	SIZE	CAGE CODE
		1 PLC	±0.5	A3	00779
		2 PLC	±0.13	DRAWING NO	C-1445441
		3 PLC	±0.013	RESTRICTED TO	
		4 PLC	±0.0001		
		ANGLES	°		
MATERIAL		FINISH			
CUSTOMER DRAWING				SCALE	2:1
				SHEET	1 OF 1
				REV	BI