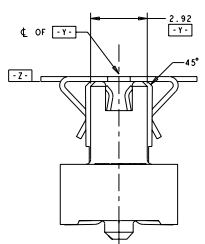
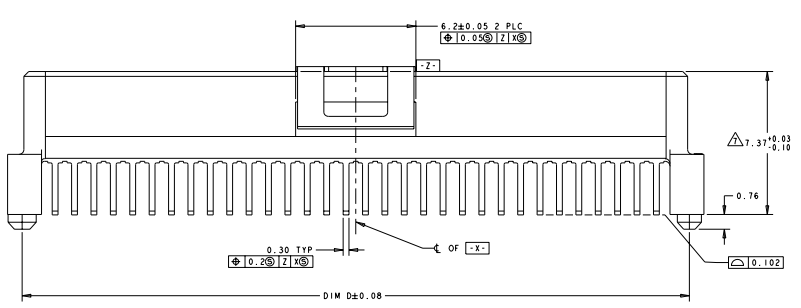
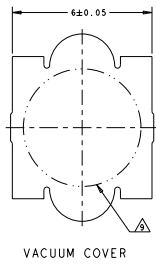
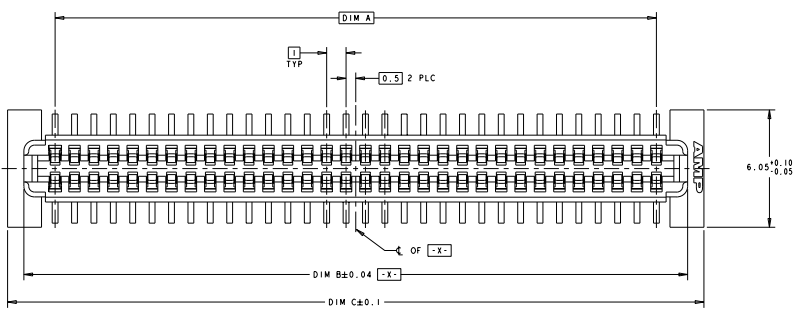
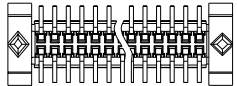


| REV | DATE | DESCRIPTION               | BY      | CHK | APP |
|-----|------|---------------------------|---------|-----|-----|
| K   |      | REVISED PER ECO-99-008415 | PLM2000 | DM  | DB  |
| K1  |      | REVISED PER ECO-99-018484 | ZHU0009 | AGS | DD  |

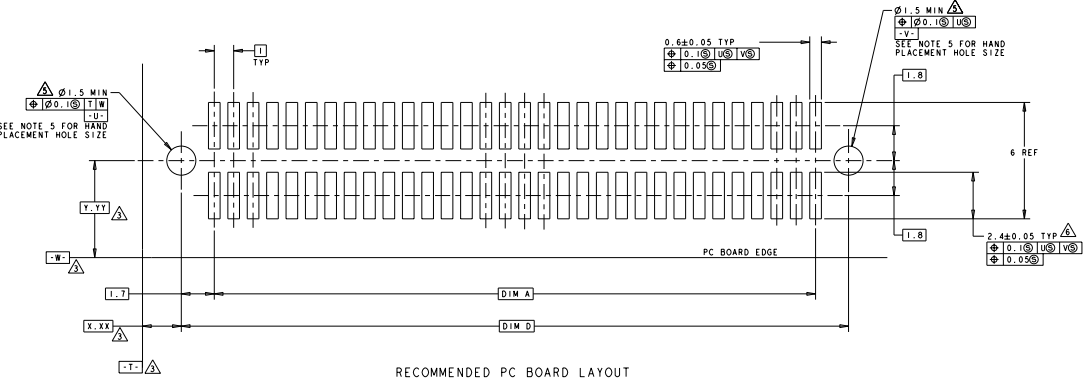


- HOUSING MATERIAL: HIGH TEMPERATURE THERMOPLASTIC. COLOR: BLACK. CONTACT MATERIAL: PHOSPHOR BRONZE.
- CONTACT FINISH: NICKEL UNDERPLATE ALL OVER. MATING SURFACES PLATED TO MEET PUL PERFORMANCE REQUIREMENTS OF INDUSTRY SPECIFICATION EIA-700AAAAB. SOLDER TAILS PLATED TIN-LEAD.
- DATUM LOCATIONS AND BASIC DIMENSIONS TO BE ESTABLISHED BY THE CUSTOMER. CONSULT AMP ENGINEERING WHEN PLACING MULTIPLE CONNECTORS ON A PC BOARD.
- PACKAGED IN TAPE ON REEL PER EIA-481.
- 1.420.05 DIAMETER HOLE WHEN PLACING BY HAND.
- SHORTER SOLDER LANDS MAY BE USED PER EIA 700AAAAB, HOWEVER 2.4 LENGTH ASSURES OPTIMUM SOLDER FILLET REGARDLESS OF MANUFACTURER OF CONNECTOR.
- REFERRED TO AS DIM H = 7.340.1 IN EIA 700AAAAB SPECIFICATION.
- VACUUM COVER NOT SHOWN IN SOME VIEWS FOR CLARITY.
- 5.5 MIN DIAMETER TARGET AREA FOR VACUUM PICK-UP.
- CONTACT FINISH: 0.00381 MINIMUM MATTE TIN-LEAD (93-7) ON SOLDER AREA. 0.00121 MINIMUM GOLD ON MATING AREA. BOTH OVER 0.00121 MINIMUM NICKEL ON ENTIRE CONTACT.
- SQUARE AND DIAMOND SHAPED POSTS.
- ROUND SHAPED POSTS.

STYLE A POSTS



STYLE B POSTS



| POST STYLE | FINISH | DIM D | DIM C | DIM B | DIM A | STACK HEIGHTS | POS | AMP PART NUMBER |
|------------|--------|-------|-------|-------|-------|---------------|-----|-----------------|
| △          | △      | 44.4  | 45.9  | 44.22 | 41    | 11.12         | 84  | 3-146894-2      |
| △          | △      | 34.4  | 35.9  | 34.22 | 31    | 11.12         | 64  | 3-146894-1      |
| △          | △      | 44.4  | 45.9  | 44.22 | 41    | 11.12         | 84  | 2-146894-2      |
| △          | △      | 34.4  | 35.9  | 34.22 | 31    | 11.12         | 64  | 2-146894-1      |
| △          | △      | 44.4  | 45.9  | 44.22 | 41    | 11.12         | 84  | 1-146894-2      |
| △          | △      | 34.4  | 35.9  | 34.22 | 31    | 11.12         | 64  | 1-146894-1      |
| △          | △      | 44.4  | 45.9  | 44.22 | 41    | 11.12         | 84  | 146894-2        |
| △          | △      | 34.4  | 35.9  | 34.22 | 31    | 11.12         | 64  | 146894-1        |

RECEPTACLE ASSY. WITH VACUUM COVER, 1.0mm FH (EEL 1389) CONNECTOR

DATE: 1992-12-18  
 DRAWN BY: J14-25885  
 CHECKED BY: J14-25885  
 CUSTOMER DRAWING: 00778-146894