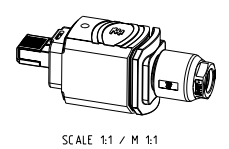
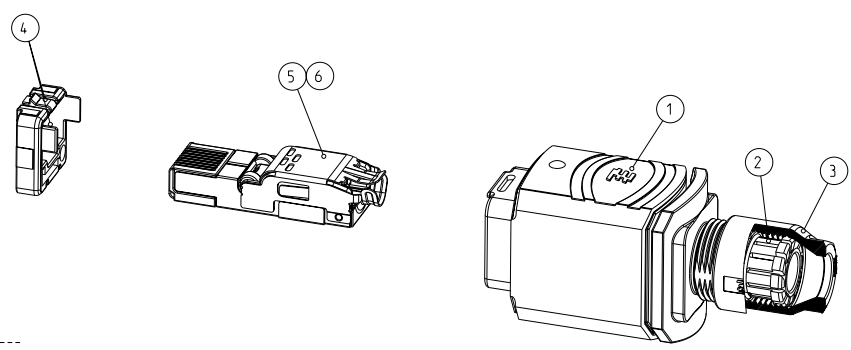


LOC	DIST	REV	DATE	BY	APPROV
A1	-	A5	28APR2008	N.T.	R.K.
		A6	06JAN2009	N.T.	R.K.
		A7	28MAY2009	N.T.	T.K.
		B1	24FEB2010	N.T.	W.B.

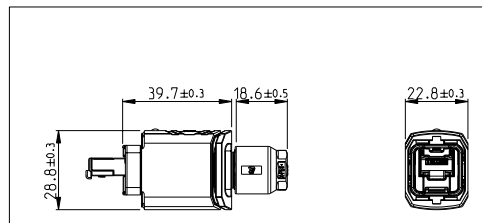


SCALE 1:1 / M 1:1

-1 AS SHOWN
 -1 WIE GEZEICHNET

SINGLE PACKING: PLASTIC BAG (MINI GRIP) WITH MANUAL.
 MULTI PACKING: 50 PIECES ITEM NO. 1, NO.2 AND NO.3 IN CORD TENSIONING BAG+
 50 PIECES ITEM NO. 4 IN PLASTIC BAG (MINI GRIP) +
 50 PIECES ITEM NO. 5 OR NO. 6 IN FOLDING BOX +
 PACKED IN CORRUGATED SHIPPING BOX WITH MANUAL.

EINZELVERPACKUNG: KUNSTSTOFFBEUTEL (MINI GRIP) MIT ANLEITUNG.
 MEHRFACHVERPACKUNG: 50 STUECK POS. 1, POS. 2 UND POS. 3 IN KORDELZUG BEUTEL +
 50 STUECK POS. 4 IN KUNSTSTOFFBEUTEL (MINI GRIP) +
 50 STUECK POS. 5 ODER POS.6 IN FALTSCHACHTEL +
 VERPACKT IN VERSANDKARTON MIT ANLEITUNG.



SCALE 1:1 / M1:1

QTY	REV	DESCRIPTION	ITEM NO
1	1	MANUAL	7
50	-	CORE BP ASSY	6
-	50	CORE 4P ASSY	5
50	50	RETENTION CLIP, RJ45, PUSH-PULL	4
50	50	CABLE SCREW JOINT	3
50	50	PINCH RING SEAL, ASSY	2
50	50	RJ45 PLUG, PUSH-PULL, SUB-ASSY	1
-4	-3	DWG. SIZE	
-	-	REVISION OF EACH ASSY NO. (WHEN BLANK, USE DWG. REVISION)	

DWG. NO. 23MAR2007 N. THIBRUNA DWG. DATE 23MAR2007 W. BOECK DWG. DATE 23MAR2007 B. KAEMER PRODUCT SPEC 100-94207-1*-2 APPLICATION SPEC WIRING DIAGRAMS MATERIAL PBT / PC / TPE WEIGHT CUSTOMER DRAWING	Tyco Electronics Tyco Electronics AMP GmbH 64625 Bensheim (Germany) NAME RJ45 PLUG, PUSH-PULL, ASSY RJ45 STECKER, PUSH-PULL, ASSY CAT5, SHIELDED SIZE A2 CASE CODE 00779 DRAWING NO. 1987004 SCALE 2:1 SHEET 1 OF 1 REV B1
--	--