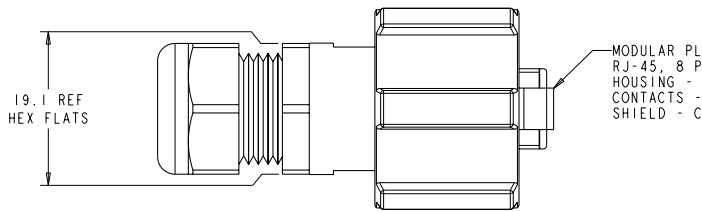
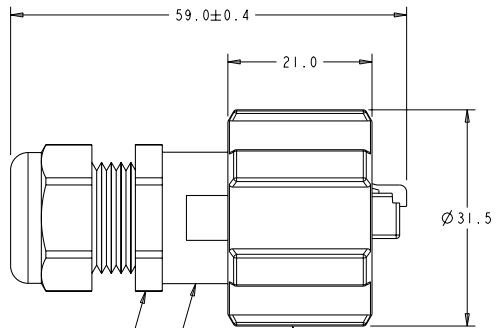


LOC		DIST		REVISIONS			
FT	0	P	LYR	DESCRIPTION	DATE	BY	APPR
		CI		REVISED PER ECO-11-005027	10MAY2011	JK	HMR



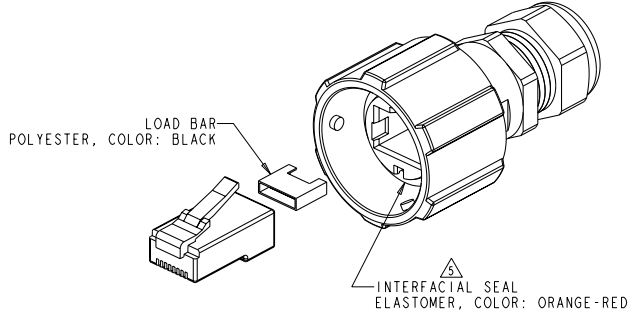
MODULAR PLUG ASSEMBLY  
 RJ-45, 8 POSITION-SEE TABULATION BELOW  
 HOUSING - CLEAR POLYCARBONATE  
 CONTACTS - PHOSPHOR BRONZE, GOLD OVER NICKEL  
 SHIELD - COPPER ALLOY W/ SEMI-BRIGHT NICKEL PLATE (-3 & -4 ONLY)



△ CABLE FITTING AND ELASTOMER  
 POLYAMIDE  
 COLOR: BLACK

△ PLUG HOUSING  
 POLYESTER, COLOR: BLACK

COUPLING RING  
 POLYESTER, COLOR: BLACK



SCALE 2:1

- △ CABLE DIAMETER RANGE, 4.6 mm TO 7.9 mm, CABLE FITTING ONLY, SEE APPLICATION SPECIFICATION FOR PLUG TERMINATION INFORMATION
- 2. THIS PRODUCT HAS NOT COMPLETED VALIDATION TESTING.
- 3. PARTS PACKAGED UNASSEMBLED IN POLYBAG.
- △ GEOMETRY CAN VARY.
- △ ELASTOMER SEAL IS SECURED TO HOUSING WITH ADHESIVE.

SHIELDED	24-26 AWG STRANDED	1738607-4
	24-26 AWG SOLID	1738607-3
UNSHIELDED	24 AWG STRANDED	1738607-2
	24 AWG SOLID	1738607-1
DESCRIPTION	CONDUCTOR TYPE	PART NUMBER

THIS DRAWING IS A CONTROLLED DOCUMENT. OWN: R.L. KOLLER 25MAR04  
 CBY: LANDIS 26MAR04  
 AND: S. BEARD 17JUN05

TE Connectivity

PLUG ASSEMBLY  
 INDUSTRIAL CIRCULAR  
 ETHERNET CONNECTOR

0 PLC #0.3  
 1 PLC #0.2  
 2 PLC #0.10  
 3 PLC #0.10  
 4 PLC #0.10  
 ANGLES  
 FINISH

WEIGHT  
 CUSTOMER DRAWING

SHEET CASE CODE DRAWING NO  
 A200779 ©-1738607

RESTRICTED TO

SCALE 5:2 SHEET 1 OF 1 REV C.1