

4

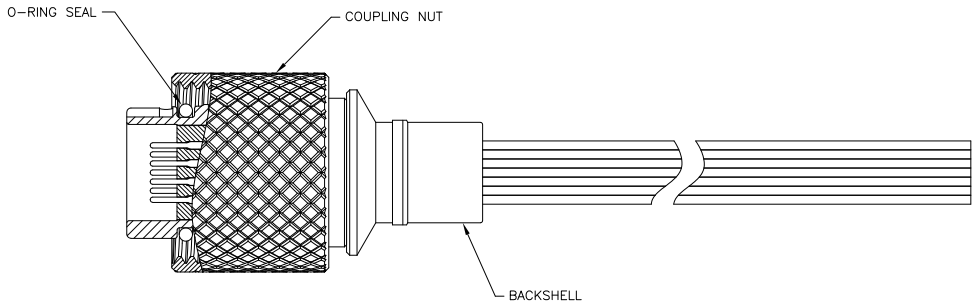
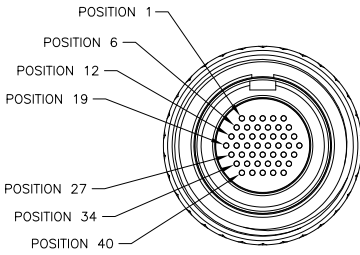
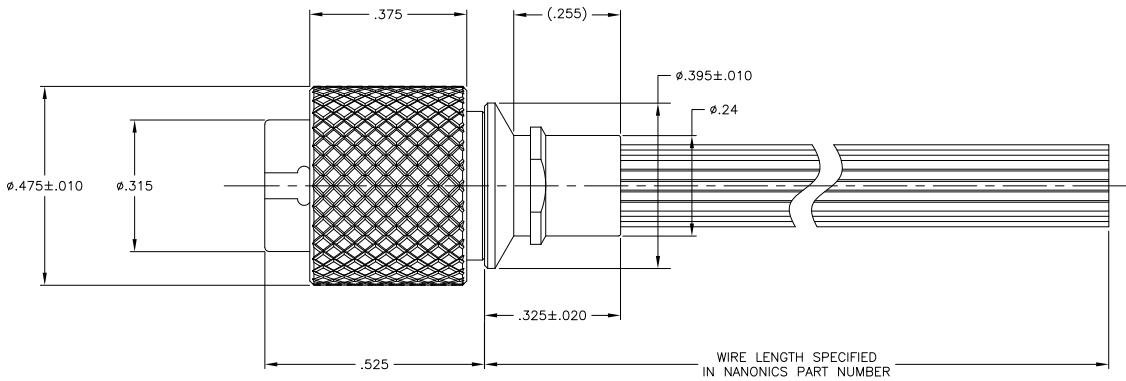
3

2

1

THIS DRAWING IS UNPUBLISHED. RELEASED FOR PUBLICATION. ALL RIGHTS RESERVED.

LOC	DIST	REVISIONS		
P	LR	DESCRIPTION	DATE	BY
F		UPDATE PER ECO-11-013272	28 JUN 11	CAS/MKS



- CONNECTOR BODY, COUPLING NUT & BACKSHELL MATERIAL: 6061-T6 ALUMINUM, ELECTROLESS NICKEL PLATED PER SAE-AMS-C-26074 OR SAE-AMS-2404E  
LOCKING RING MATERIAL: BERYLLIUM COPPER, ELECTROLESS NICKEL PLATED PER SAE-AMS-C-26074 OR SAE-AMS-2404E  
INSULATOR MATERIAL: LIQUID CRYSTAL POLYMER (LCP) PER ASTM D5138 OR POLYPHENYLENE SULFIDE (PPS) PER ASTM D4067  
O-RING MATERIAL: FLUOROSILICONE
- WIRE TERMINATION: 28 AWG SOLID, 30 AWG STRANDED WIRE OR SMALLER
- BONDING RESISTANCE BETWEEN CONNECTOR BODY AND BACKSHELL TO BE 25 MILLIOHMS MAXIMUM. BACKSHELL TO BE BONDED TO PLUG SHELL WITH CONDUCTIVE EPOXY.
- LUBRICATE O-RING WITH PARKER SUPER-O-LUBE PRIOR TO INSTALLATION
- THIS DRAWING ALSO IDENTIFIED AS NANONICS 303-0092

THIS DRAWING IS A CONTROLLED DOCUMENT.		DR: C. SCHOLL 11 JUN 01	
		CHK: M. STORRY 13 JUN 01	
DIMENSIONS: INCHES		APPC: -	NAME: -
TOLERANCES UNLESS OTHERWISE SPECIFIED:		PRODUCT SPEC: -	APPLICATION SPEC: -
0	PLC ± .005	SIZE: A2	SIZE CODE (DRAWING NO): 0PJN9
1	PLC ± .010	HEIGHT: -	RESTRICTED TO: -
2	PLC ± .015	MATERIAL: -	FINISH: -
3	PLC ± .020	SEE NOTES	SEE NOTES
4	PLC ± .025	CUSTOMER DRAWING	SCALE: 6:1 SHEET: 1 of 1 REV: F
5	PLC ± .030		
6	PLC ± .040		
7	PLC ± .050		
8	PLC ± .060		
9	PLC ± .070		
10	PLC ± .080		
11	PLC ± .090		
12	PLC ± .100		
13	PLC ± .120		
14	PLC ± .150		
15	PLC ± .200		
16	PLC ± .250		
17	PLC ± .300		
18	PLC ± .375		
19	PLC ± .450		
20	PLC ± .500		
21	PLC ± .625		
22	PLC ± .750		
23	PLC ± .875		
24	PLC ± 1.000		
25	PLC ± 1.250		
26	PLC ± 1.500		
27	PLC ± 1.750		
28	PLC ± 2.000		
29	PLC ± 2.500		
30	PLC ± 3.000		
31	PLC ± 3.750		
32	PLC ± 4.500		
33	PLC ± 5.000		
34	PLC ± 6.000		
35	PLC ± 7.000		
36	PLC ± 8.000		
37	PLC ± 9.000		
38	PLC ± 10.000		
39	PLC ± 12.000		
40	PLC ± 15.000		
41	PLC ± 20.000		
42	PLC ± 25.000		
43	PLC ± 30.000		
44	PLC ± 37.500		
45	PLC ± 45.000		
46	PLC ± 50.000		
47	PLC ± 60.000		
48	PLC ± 75.000		
49	PLC ± 90.000		
50	PLC ± 100.000		

1471-9 (3/11)

1589694