

4

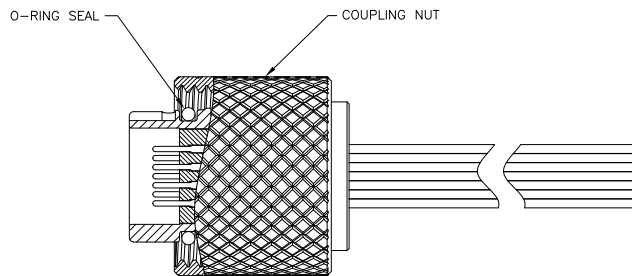
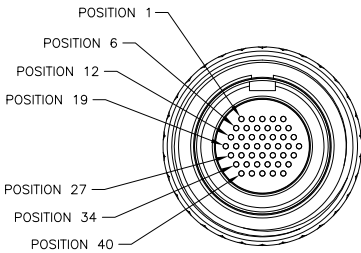
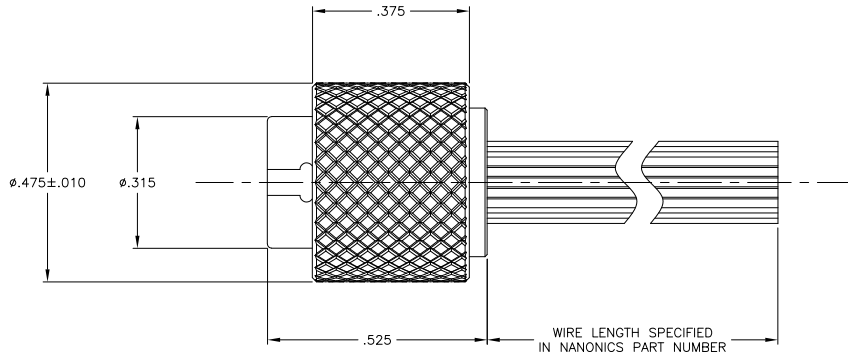
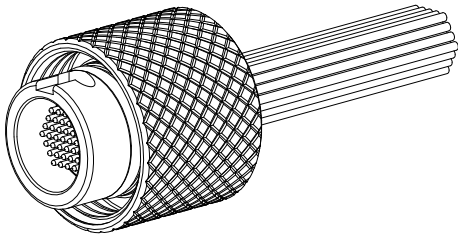
3

2

1

THIS DRAWING IS UNPUBLISHED. RELEASED FOR PUBLICATION. ALL RIGHTS RESERVED.

LOC	DIST	REVISIONS			
P	LR	DESCRIPTION	DATE	BY	APPD
H		UPDATE PER ECO-11-013056	23 JUN 11	CAS	MKS



- 1 CONNECTOR BODY AND COUPLING NUT MATERIAL: 6061-T6 ALUMINUM, ELECTROLESS NICKEL PLATED PER SAE-AMS-C-26074 OR SAE-AMS-2404E
 LOCKING RING MATERIAL: BERYLLIUM COPPER, ELECTROLESS NICKEL PLATED PER SAE-AMS-C-26074 OR SAE-AMS-2404E
 INSULATOR MATERIAL: LIQUID CRYSTAL POLYMER (LCP) PER ASTM D5138 OR POLYPHENYLENE SULFIDE (PPS) PER ASTM D4067
 O-RING MATERIAL: FLUOROSILICONE

- 2 WIRE TERMINATION: 28 AWG SOLID, 30 AWG STRANDED WIRE OR SMALLER
- 3 LUBRICATE O-RING WITH PARKER SUPER-O-LUBE PRIOR TO INSTALLATION
- 4 THIS DRAWING ALSO IDENTIFIED AS NANONICS 303-0034

THIS DRAWING IS A CONTROLLED DOCUMENT.		DWG: M. STORRY 20 MAY 99 CHK: S. PAULUS 11 JUN 99 APD: S. KAIN 27 JAN 00 NAME: S. KAIN PRODUCT SPEC: --- APPLICATION SPEC: --- HEIGHT: ---	TE Connectivity PLUG ASSEMBLY, CIRCULAR, THREADED COUPLING, METAL, 44 POSITION	RESTRICTED TO: ---
DIMENSIONS: INCHES UNLESS OTHERWISE SPECIFIED:	0 PLC ± .005 1 PLC ± .005 2 PLC ± .010 3 PLC ± .005 4 PLC ± .010 ANGLES ± .1°	SIZE: A2 CAGE CODE: 0PJN9 DRAWING NO: C=1589065	SCALE: 6:1	SHEET: 1 of 1
MATERIAL: SEE NOTES	FINISH: SEE NOTES	CUSTOMER DRAWING		

1471-9 (3/11)

1589065

A

H