

4

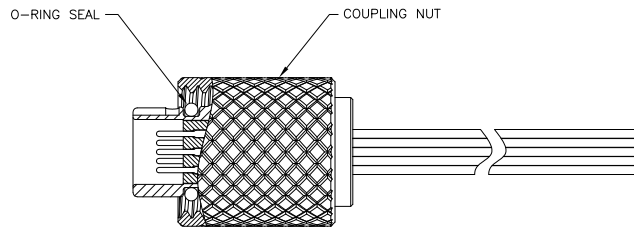
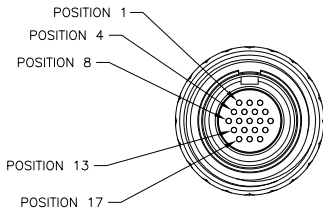
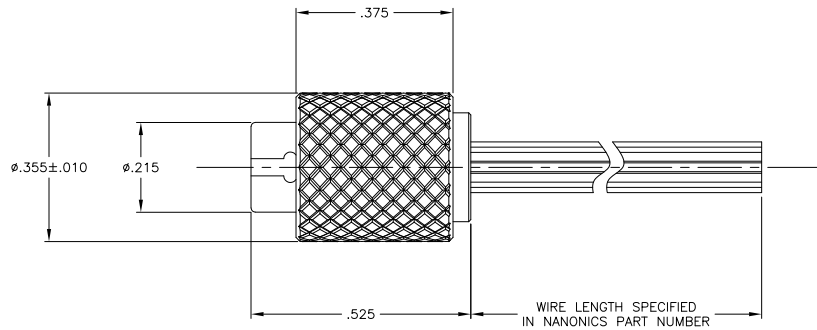
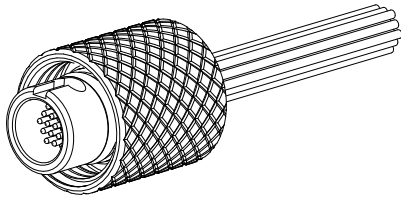
3

2

1

THIS DRAWING IS UNPUBLISHED. RELEASED FOR PUBLICATION  
 © COPYRIGHT - By - ALL RIGHTS RESERVED.

LOC	DIST	REVISIONS			
P	LTR	DESCRIPTION	DATE	BY	APPD
H		UPDATE PER ECO-11-013056	23 JUN 11	CAS	MKS



- 1 CONNECTOR BODY AND COUPLING NUT MATERIAL: 6061-T6 ALUMINUM, ELECTROLESS NICKEL PLATED PER SAE-AMS-C-26074 OR SAE-AMS-2404E  
 LOCKING RING MATERIAL: BERYLLIUM COPPER, ELECTROLESS NICKEL PLATED PER SAE-AMS-C-26074 OR SAE-AMS-2404E  
 INSULATOR MATERIAL: LIQUID CRYSTAL POLYMER (LCP) PER ASTM D5138 OR POLYPHENYLENE SULFIDE (PPS) PER ASTM D4067  
 O-RING MATERIAL: FLUOROSILICONE

- 2 WIRE TERMINATION: 28 AWG SOLID, 30 AWG STRANDED WIRE OR SMALLER
- 3 LUBRICATE O-RING WITH PARKER SUPER-O-LUBE PRIOR TO INSTALLATION
- 4 THIS DRAWING ALSO IDENTIFIED AS NANONICS 303-0033

THIS DRAWING IS A CONTROLLED DOCUMENT.		DRN M. STORRY 20 MAY 99	
DIMENSIONS: INCHES		CHK S. PAULUS 11 JUN 99	
0 PLC ± .010 1 PLC ± .010 2 PLC ± .010 3 PLC ± .005 4 PLC ± .010 ANGLES ± .1°		APD S. KAIN 26 JAN 00	NAME S. KAIN
MATERIAL SEE NOTES		APPLICATION SPEC —	SIZE A20PJN9
FINISH SEE NOTES		WEIGHT —	CAGE CODE 1589064
CUSTOMER DRAWING		SCALE 6:1	SHEET 1 of 1

1471-9 (3/11)

1589064

A