

4

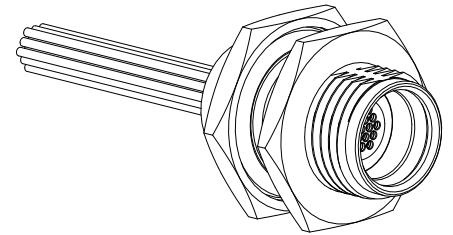
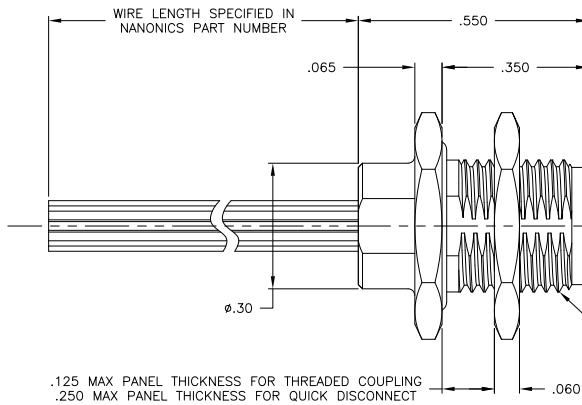
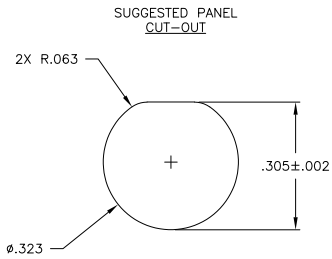
3

2

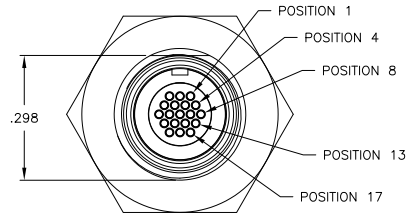
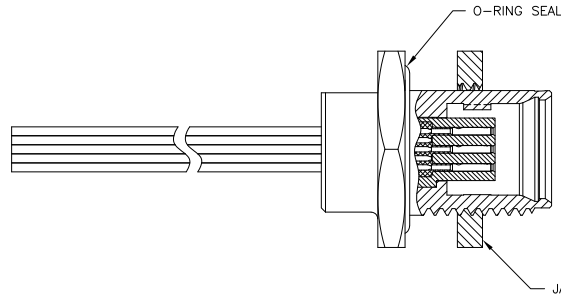
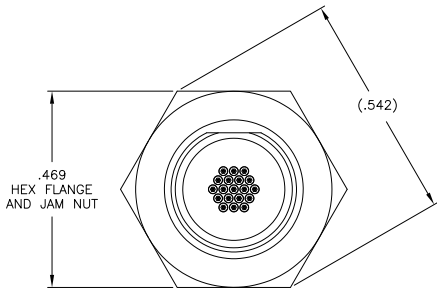
1

THIS DRAWING IS UNPUBLISHED. RELEASED FOR PUBLICATION
 © COPYRIGHT - By - ALL RIGHTS RESERVED.

LOC		DIBT		REVISIONS			
P	LTR	DESCRIPTION	DATE	BY	APPD		
H		UPDATE PER ECO-11-013056	23 JUN 11	CAS	MKS		



M8.0 X 0.75-6g THREAD



- CONNECTOR BODY AND JAM NUT MATERIAL: 6061-T6 ALUMINUM, ELECTROLESS NICKEL PLATED PER SAE-AMS-C-26074 OR SAE-AMS-2404E
 LOCKING RING MATERIAL: BERYLLIUM COPPER, ELECTROLESS NICKEL PLATED PER SAE-AMS-C-26074 OR SAE-AMS-2404E
 INSULATOR MATERIAL: LIQUID CRYSTAL POLYMER (LCP) PER ASTM D5138 OR POLYPHENYLENE SULFIDE (PPS) PER ASTM D4067
 O-RING MATERIAL: FLUOROSILICONE
- WIRE TERMINATION: 28 AWG SOLID, 30 AWG STRANDED WIRE OR SMALLER
- LUBRICATE O-RING WITH PARKER SUPER-O-LUBE PRIOR TO INSTALLATION
- THIS DRAWING PREVIOUSLY IDENTIFIED AS NANONICS 303-0030

THIS DRAWING IS A CONTROLLED DOCUMENT.		DRN	M. STORRY	7 MAY 99	TE Connectivity
		OK	E. PAULUS	7 MAY 99	
		APD	S. KAIN	26 JAN 00	RECEPTACLE ASSEMBLY, CIRCULAR, PANEL MOUNT, THREADED COUPLING/ QUICK DISCONNECT, METAL 19 POSITION
		APPLICATION SPEC			
DIMENSIONS: INCHES		TOLERANCES UNLESS OTHERWISE SPECIFIED:		SIZE	ONE CODE (DRAWING NO)
0 PLC ± .005		1 PLC ± .010		RESTRICTED TO	
2 PLC ± .015		3 PLC ± .020		A20PJN9C=1589061	
4 PLC ± .025		ANGLES ± .1°		SCALE	
MATERIAL		FINISH		CUSTOMER DRAWING	
SEE NOTES		SEE NOTES		SCALE 6:1 SHEET 1 of 1 REV H	

1471-9 (3/11)

1589061

A