

4

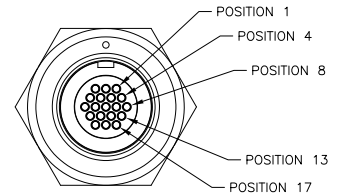
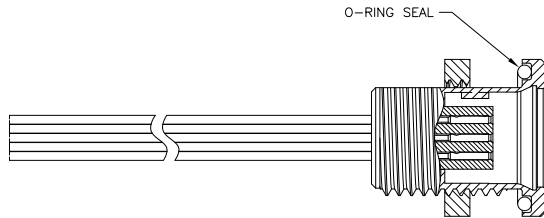
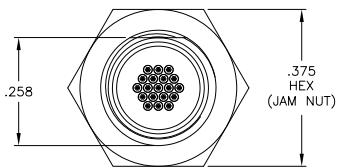
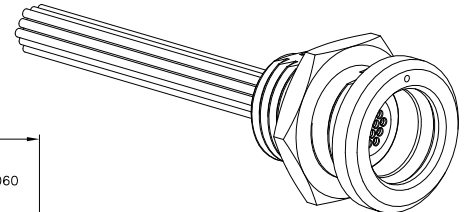
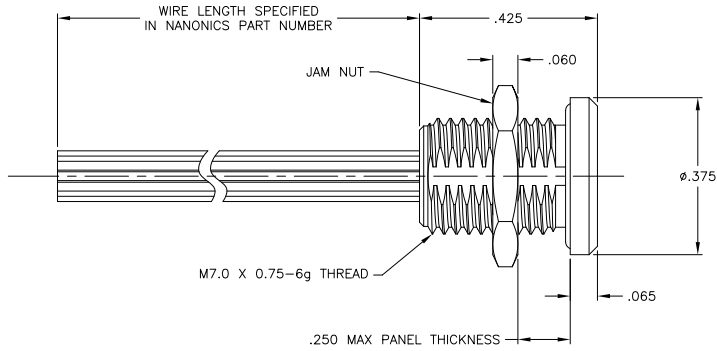
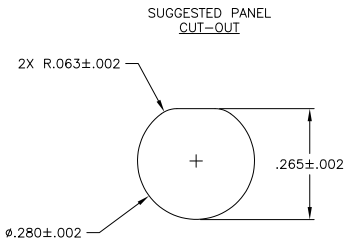
3

2

1

THIS DRAWING IS UNPUBLISHED. RELEASED FOR PUBLICATION
 © COPYRIGHT - By - ALL RIGHTS RESERVED.

LOC		DIBT		REVISIONS			
P	LTR	DESCRIPTION	DATE	BY	APPD		
G		UPDATE PER ECO-11-013056	23 JUN 11	CAS	MKS		



- CONNECTOR BODY AND JAM NUT MATERIAL: 6061-T6 ALUMINUM, ELECTROLESS NICKEL PLATED PER SAE-AMS-C-26074 OR SAE-AMS-2404E
 LOCKING RING MATERIAL: BERYLLIUM COPPER, ELECTROLESS NICKEL PLATED PER SAE-AMS-C-26074 OR SAE-AMS-2404E
 INSULATOR MATERIAL: LIQUID CRYSTAL POLYMER (LCP) PER ASTM D5138 OR POLYPHENYLENE SULFIDE (PPS) PER ASTM D4067
 O-RING MATERIAL: FLUOROSILICONE
- WIRE TERMINATION: 28 AWG SOLID, 30 AWG STRANDED WIRE OR SMALLER
- LUBRICATE O-RING WITH PARKER SUPER-O-LUBE PRIOR TO INSTALLATION
- THIS DRAWING ALSO IDENTIFIED AS NANONICS 303-0026

THIS DRAWING IS A CONTROLLED DOCUMENT.		DRN	M. STORRY	5 MAY 99	TE Connectivity
		CHK	S. PAULUS	7 MAY 99	
		APPD	S. KAIN	26 JAN 00	RECEPTACLE ASSEMBLY, CIRCULAR, FLUSH MOUNT, QUICK DISCONNECT, METAL, 19 POSITION
		PRODUCT SPEC			
		APPLICATION SPEC			RESTRICTED TO
		WEIGHT			
MATERIAL		FINISH	SIZE CASE CODE (DRAWING NO)		SCALE
SEE NOTES		SEE NOTES	A2 0PJN9 C=1589058		
		CUSTOMER DRAWING		SHEET	1 of 1
				REV	G

1471-9 (3/11)

1589058

A