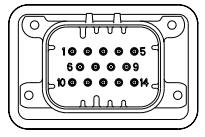
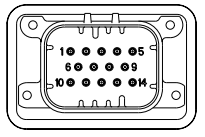


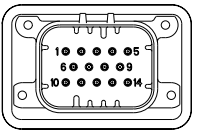
776267-1 & 1-776267-1
KEY LOCATION
SCALE 2:1



776267-2 & 1-776267-2
KEY LOCATION
SCALE 2:1



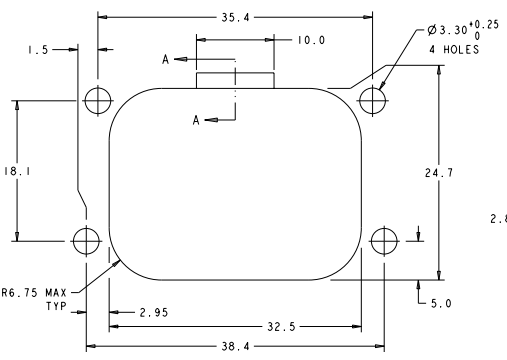
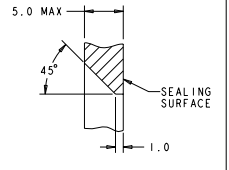
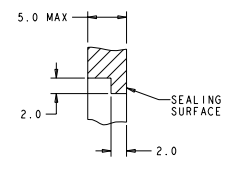
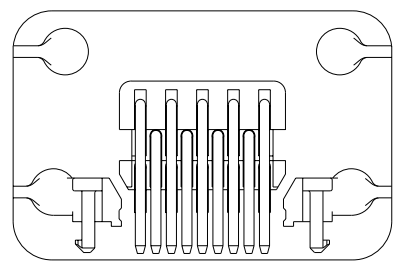
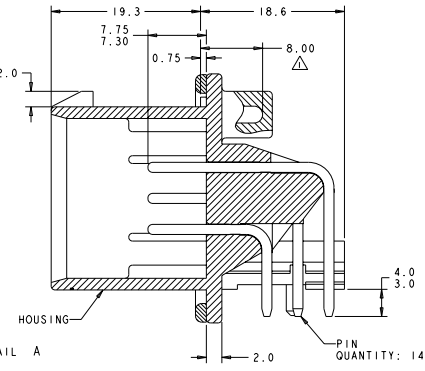
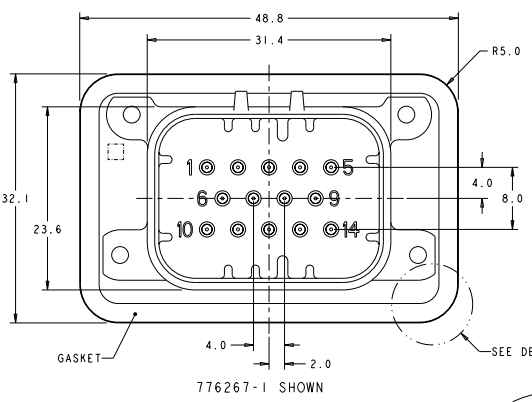
776267-4 & 1-776267-4
KEY LOCATION
SCALE 2:1



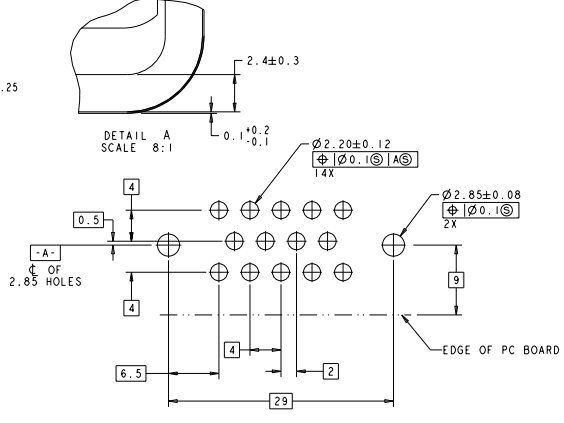
776267-5 & 1-776267-5
KEY LOCATION
SCALE 2:1

ACCEPTS #4 SELF TAPPING THREAD CUTTING SCREWS OR METRIC EQUIVALENT. DRIVE TO 0.6±0.2 N-m MAX.

HOUSING COLORS ARE MECHANICALLY KEYS TO MATE ONLY WITH IDENTICALLY COLORED PLUG ASSEMBLIES.



RECOMMENDED MOUNTING HOLE LAYOUT
FOR 5.0 MAXIMUM THICK PANEL



RECOMMENDED PC BOARD LAYOUT
FOR 1.57 PC BOARD

GASKET MATERIAL	HEADER HOUSING COLOR	DESCRIPTION	PART NUMBER
SILICONE	BLUE	DURAGOLD PLATED	1-776267-5
SILICONE	GRAY	DURAGOLD PLATED	1-776267-4
SILICONE	NATURAL	DURAGOLD PLATED	1-776267-2
SILICONE	BLACK	DURAGOLD PLATED	1-776267-1
SILICONE	BLUE	TIN PLATED	776267-5
SILICONE	GRAY	TIN PLATED	776267-4
SILICONE	NATURAL	TIN PLATED	776267-2
SILICONE	BLACK	TIN PLATED	776267-1

THIS DRAWING IS A CONTROLLED DOCUMENT. DATE: 08/20/2015

DESIGNED BY: STRASSER/08/20/2015
 CHECKED BY: STRASSER/08/20/2015
 DRAWN BY: STRASSER/08/20/2015
 TITLE: CUSTOMER DRAWING

TE Connectivity
STE
 HEADER ASSEMBLY,
 14 POSITION, RIGHT ANGLE,
 AMPSEAL

STATE: CA
 CITY: SAN JOSE
 ZIP: 95128
 PHONE: 408.779.8000
 FAX: 408.779.8000
 EMAIL: sales@ste.com

REV: A
 DATE: 08/20/2015
 BY: STRASSER
 CHECKED BY: STRASSER
 DRAWN BY: STRASSER
 TITLE: CUSTOMER DRAWING

SCALE: 2:1
 SHEET: 1 OF 1
 PART NUMBER: 776267-1