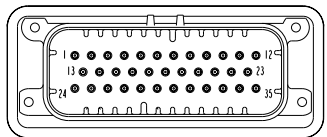
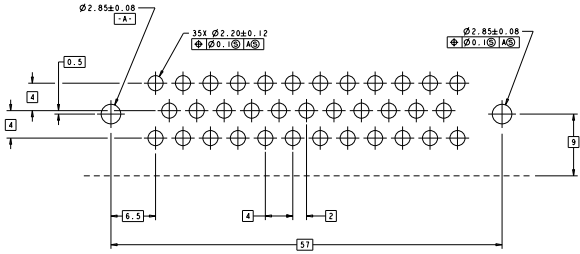
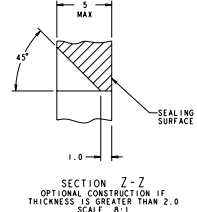
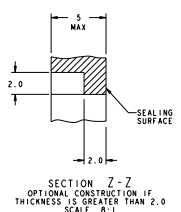
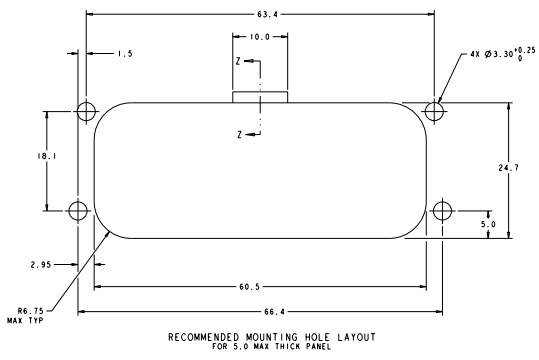
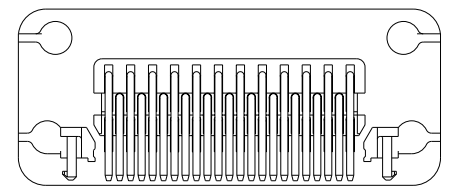
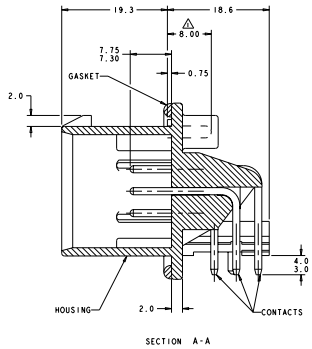
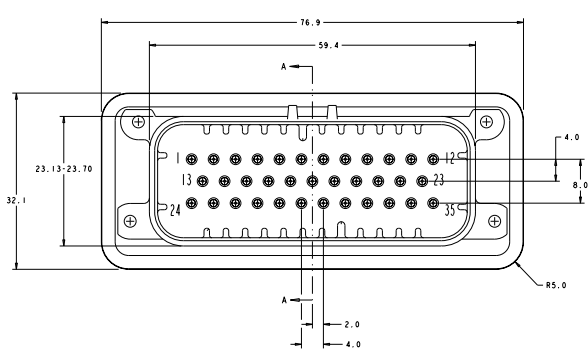
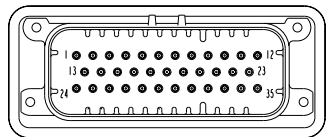


| REV | DATE | BY | CHKD | REVISION |
|-----|------|----|------|--------------------------|
| 01 | | | | INITIALS |
| 02 | | | | REVISED PER ESD-11-00000 |

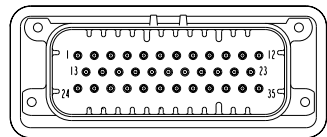
ACCEPTS #4 SELF TAPPING SCREW (ELCO #1-10 THREAD CUTTING STYLE OR EQUIVALENT) TO BE DRIVEN AT 0.8±0.2 N·M.
 HOUSING COLORS ARE MECHANICALLY KEYS TO MATE ONLY WITH IDENTICALLY COLORED PLUG ASSEMBLIES.



776163-2 & 1-776163-2
KEY LOCATION AS SHOWN
SCALE 3:1



776163-4 & 1-776163-4
KEY LOCATION AS SHOWN
SCALE 3:1



776163-5 & 1-776163-5
KEY LOCATION AS SHOWN
SCALE 3:1

776163-1 & 1-776163-1
KEY LOCATION AS SHOWN

| SILICONE | BRASS | DIPROLOD | PBT | ORANGE | 1-776163-6 |
|----------|-------|----------|-----|------------------|------------|
| SILICONE | BRASS | DIPROLOD | PBT | BLUE | 1-776163-5 |
| SILICONE | BRASS | DIPROLOD | PBT | GRAY | 1-776163-4 |
| SILICONE | BRASS | DIPROLOD | PBT | NATURAL (WHITEN) | 1-776163-3 |
| SILICONE | BRASS | DIPROLOD | PBT | BLACK | 1-776163-1 |
| SILICONE | BRASS | TIN | PBT | BLUE | 776163-5 |
| SILICONE | BRASS | TIN | PBT | GRAY | 776163-4 |
| SILICONE | BRASS | TIN | PBT | NATURAL (WHITEN) | 776163-3 |
| SILICONE | BRASS | TIN | PBT | BLACK | 776163-1 |

| PLUG | CONTACT | HOUSING | TR Connector |
|--------------|--------------|--------------|--------------|
| 35 POSITIONS | 35 POSITIONS | 35 POSITIONS | 35 POSITIONS |
| 35 POSITIONS | 35 POSITIONS | 35 POSITIONS | 35 POSITIONS |
| 35 POSITIONS | 35 POSITIONS | 35 POSITIONS | 35 POSITIONS |