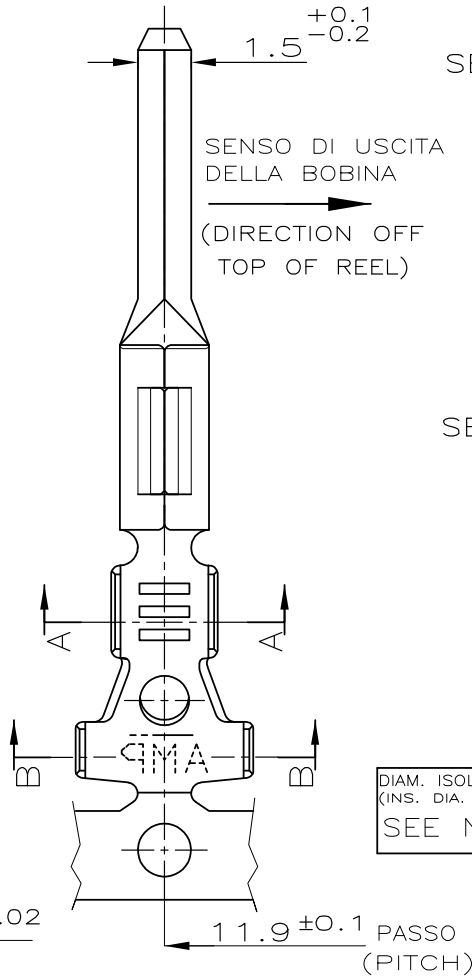
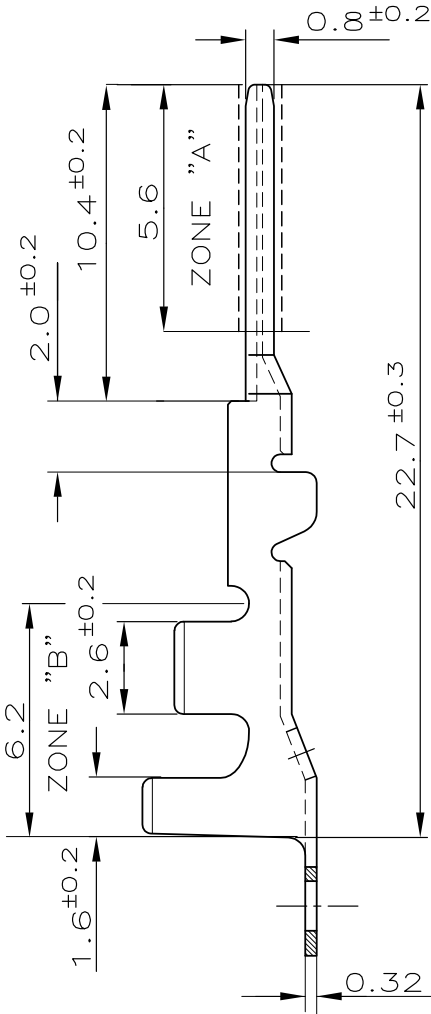
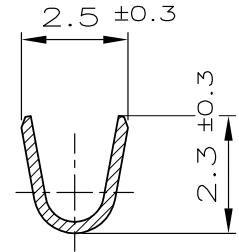


METRIC

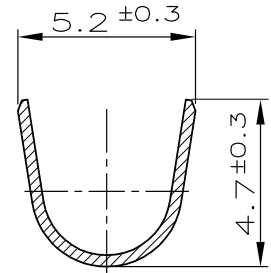
LOC	DIST	REVISIONS					
I	—	P	LTR	DESCRIPTION	DATE	DWN	APVD
			A1	REVISED PER ECO-11-005033	2APR11	RK	HMR



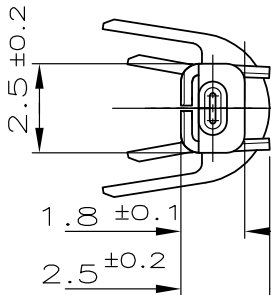
SECTION A-A



SECTION B-B



DIAM. ISOLANTE (INS. DIA. RANGE)	RANGO FILO (WIRE RANGE)
SEE NOTE Δ	0.35-0.5mm ²



- Δ 2 ADATTO PER GOMMINO PASSACAVO AMP P/N 281934-4 (SUITABLE FOR SINGLE WIRE SEAL AMP P/N 281934-4)
- Δ 1 DORATURA 0.8 μ m NELLA "ZONA A", STAGNATURA NELLA "ZONA B" E NICHELATURA SU TUTTO IL CONTATTO. (GOLD PLATED 0.8 μ m OVER "ZONE A", TIN PLATED OVER "ZONE B" AND NICKEL UNDERPLATING ALL OVER)

REV.	FINITURA / COLORE (FINISH / COLOUR)	MATERIALE (MATERIAL)	NUMERO (PART NUMBER)
A	DORATO (GOLD PLTD) Δ 1	OTTONE (BRASS)	282404-3
A	PRE STAGNATO (PRE-TIN)	OTTONE (BRASS)	282404-1

THIS DRAWING IS UNPUBLISHED. ALL RIGHTS RESERVED. BY -

DIMENSIONS: mm	
TOLERANCES UNLESS OTHERWISE SPECIFIED:	
0 PLC	± -
1 PLC	± 0.3
2 PLC	± -
3 PLC	± -
4 PLC	± -
ANGLES	± 2'

DWN	C.BERTINI	6-92
CHK	A. BRUNI	6-92
APVD	-	-
PRODUCT SPEC	-	-
APPLICATION SPEC	-	-
WEIGHT	-	-

MATERIAL		FINISH	
-		-	
TE TE Connectivity			
NAME MINI MIC SRS TAB CONTACT			
SIZE	CAGE CODE	DRAWING NO	RESTRICTED TO
A4	00779	C-282404	-
CUSTOMER DRAWING		SCALE	SHEET
		5:1	1 OF 1
		REV	A1