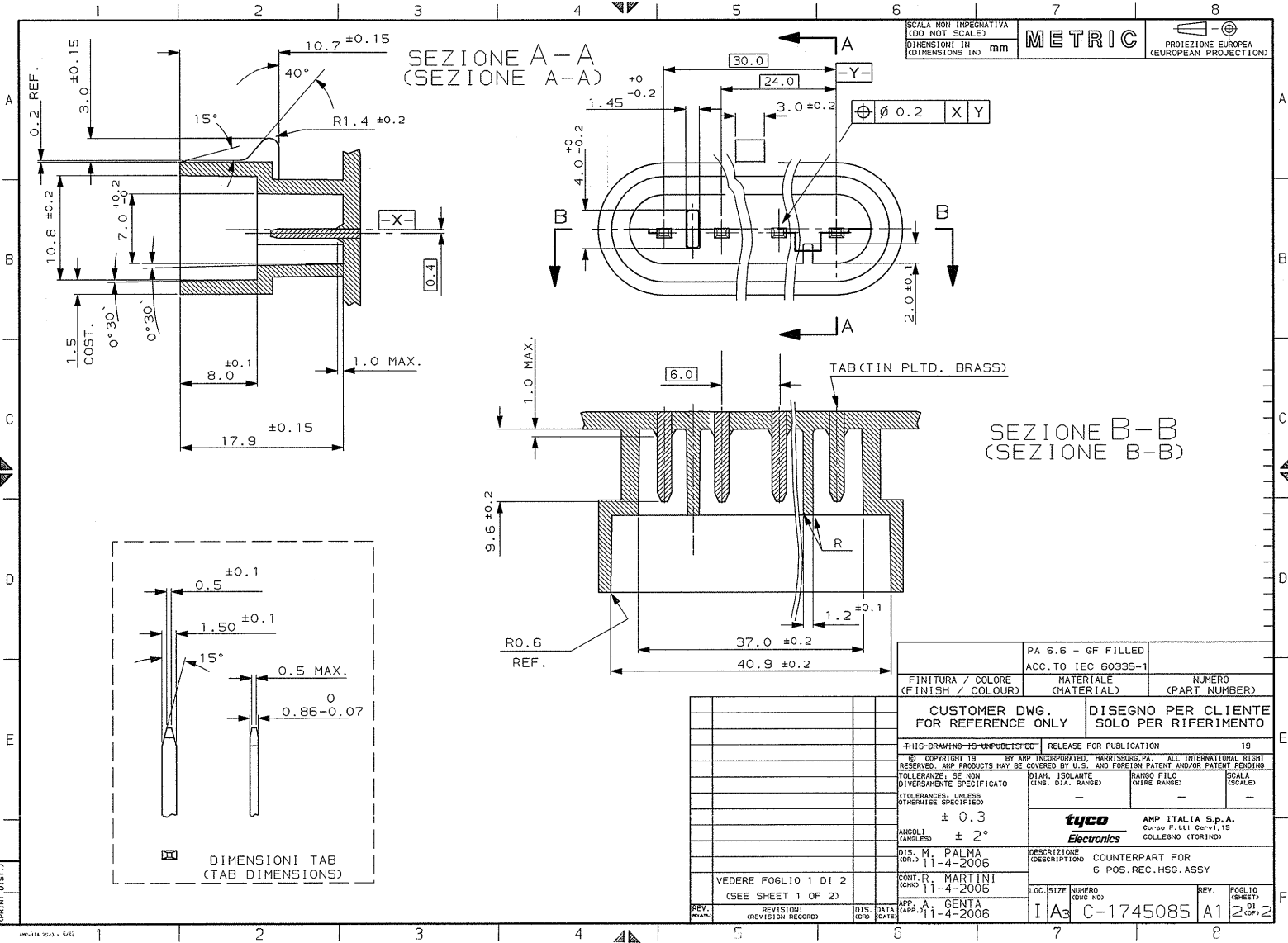


BIANCO (WHITE)	PA 6.6 - GF20%	1745085-1
FINITURA / COLORE (FINISH / COLOUR)	ACC. TO IEC 60335-1	NUMERO (PART NUMBER)
CUSTOMER DWG. FOR REFERENCE ONLY		DISEGNO PER CLIENTE SOLO PER RIFERIMENTO
THIS DRAWING IS UNPUBLISHED - RELEASE FOR PUBLICATION		
© COPYRIGHT IS BY AMP INCORPORATED, HARRISBURG, PA. ALL INTERNATIONAL RIGHT RESERVED. AMP PRODUCTS MAY BE COVERED BY U.S. AND FOREIGN PATENT AND/OR PATENT PENDING.		
TOLLERANZE, SE NON DIVERSAMENTE SPECIFICATO (TOLERANCES, UNLESS OTHERWISE SPECIFIED)	DIAM. ISOLANTE (INS. DIA. RANGED)	RANGO FILE (WIRE RANGED)
± 0.3	-	-
ANGOLI (SHARPS) (COR.)	± 2°	SCALA (SCALE)
DIS. M. PALMA (COR.)	11-4-2006	tyco AMP ITALIA S.p.A. Corso F.lli Cervi, 15 COLLEGNO (TORINO)
DESCRIZIONE (DESCRIPTION)	6 POS. PLUG ASS'Y	NUMERO (DRAWING NUMBER)
A1 RELEASED FOR PRODUCTION (EGR-06-028933)	M. G. B-12 (COR.)	AMP SUPERSEAL 1.5 SERIES CONNECTORS
A FIRST ISSUE	M. P. LOG (COR.)	LOC. SIZE (DRAWING NO.)
REV. (REVISION RECORD)	DIS. DATA (DATE)	REV. (REVISION)
	APP. A. GENTA (APP-11-4-2006)	FOGLIO (SHEET) 11 01 002 2

DISTRIBUZIONE (PRINT DIST.)

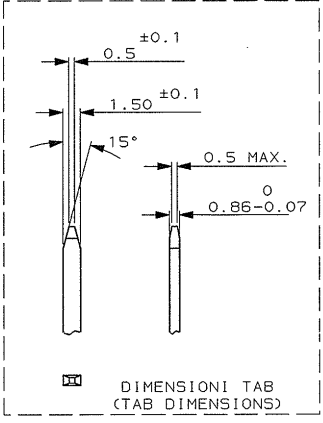
48-151 F529-1.1



SCALA NON IMPERATIVA (DO NOT SCALE)
DIMENSIONI IN (DIMENSIONS IN) mm
METRIC
PROIEZIONE EUROPEA (EUROPEAN PROJECTION)

SEZIONE A-A
(SEZIONE A-A)

SEZIONE B-B
(SEZIONE B-B)



PA 6.6 - GF FILLED		ACC. TO IEC 60335-1	
FINITURA / COLORE (FINISH / COLOUR)	MATERIALE (MATERIAL)	NUMERO (PART NUMBER)	
CUSTOMER DWG. FOR REFERENCE ONLY		DISEGNO PER CLIENTE SOLO PER RIFERIMENTO	
THIS DRAWING IS UNPUBLISHED		RELEASE FOR PUBLICATION	
© COPYRIGHT IS BY AMP INCORPORATED, HARRISBURG, PA. ALL INTERNATIONAL RIGHT RESERVED. AMP PRODUCTS MAY BE COVERED BY U.S. AND FOREIGN PATENT AND/OR PATENT PENDING.			
TOLLERANZE, SE NON DIVERSAMENTE SPECIFICATO (TOLERANCES, UNLESS OTHERWISE SPECIFIED)	DIAM. ISOLANTE (INS. DIA. RANGE)	RANGO FILO (WIRE RANGE)	SCALA (SCALE)
± 0.3	—	—	—
ANGOLI (ANGLES)	—		
± 2°	—		
DIS. M. PALMA (DR.) 11-4-2006	DESCRIZIONE (DESCRIPTION) COUNTERPART FOR 6 POS. REC. HSG. ASSY		
CONT. R. MARTINI (CONC) 11-4-2006	LOC. SIZE (LOC. SIZE)	NUMERO (DWG. NO.)	REV. (REV.)
APP. A. GENTA (APP.) 11-4-2006	I A3	C-1745085	A1 2 01

VEDERE FOGLIO 1 DI 2 (SEE SHEET 1 OF 2)	REV. (REVISION RECORD)	DIS. DATA (DR. DATE)
--	------------------------	-------------------------

DISTRIBUZIONE
(PRINT DIST.)