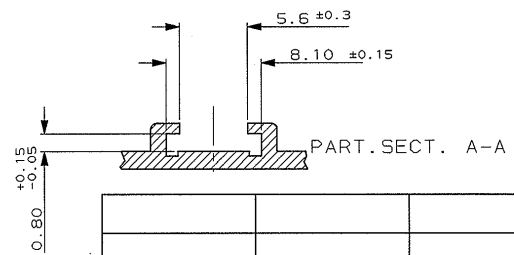
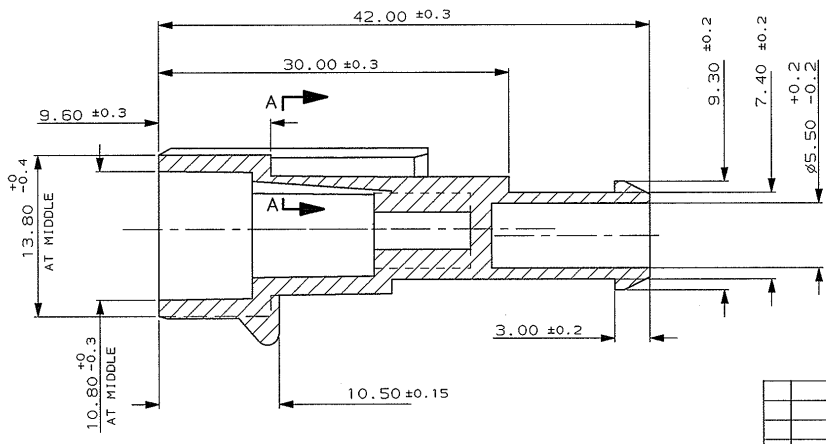
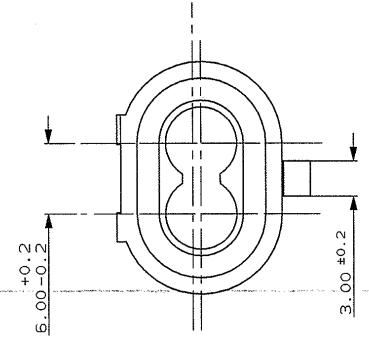
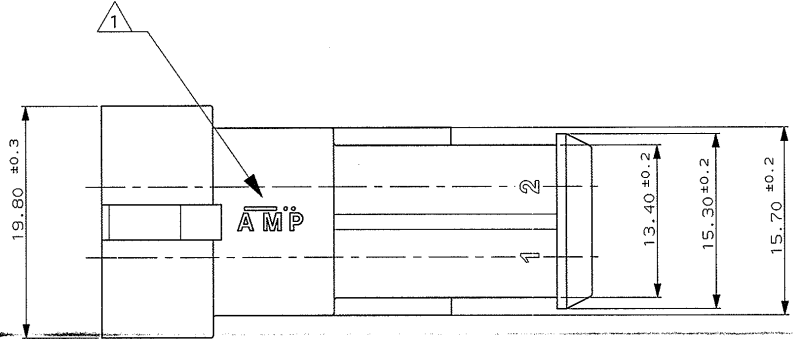


SCALA NON IMPEGNATIVA  
(DO NOT SCALE)  
DIMENSIONI IN mm  
DIMENSIONS IN mm

**METRIC**

PROIEZIONE EUROPEA  
(EUROPEAN PROJECTION)



1 LOGO "AMP" O, IN ALTERNATIVA, LOGO "TYCO"  
("AMP" TRADE MARK OR, IN ALTERNATIVE, "TYCO" TRADE MARK)

|  |                         |                         |
|--|-------------------------|-------------------------|
| ORANGE                                 | G.F. PA66               | 1745022-1               |
| FINITURA / COLORE<br>(FINISH / COLOUR) | MATERIALE<br>(MATERIAL) | NUMERO<br>(PART NUMBER) |

|                                     |   |
|-------------------------------------|---|
| CUSTOMER DWG.<br>FOR REFERENCE ONLY | DISEGNO PER CLIENTE<br>SOLO PER RIFERIMENTO |
|-------------------------------------|---|

|   |                                     |                            |
|---|-------------------------------------|----------------------------|
| THIS DRAWING IS UNPUBLISHED   | RELEASE FOR PUBLICATION             | 19                         |
| © COPYRIGHT 19 BY AMP INCORPORATED, HARRISBURG, PA. ALL INTERNATIONAL RIGHT RESERVED. AMP PRODUCTS MAY BE COVERED BY U.S. AND FOREIGN PATENT AND/OR PATENT PENDING. |                                     |                            |
| TOLLERANZE, SE NON DIVERSAMENTE SPECIFICATO<br>(TOLERANCES, UNLESS OTHERWISE SPECIFIED)   | DIAH. ISOLANTE<br>(INS. DIA. RANGE) | RANGO FILO<br>(WIRE RANGE) |
| ± 0.3   | -                                   | SCALA<br>(SCALE)           |
| ANGOLI<br>(ANGLES)  | ± 2°                                | -                          |

|                                       |                               |   |
|---------------------------------------|-------------------------------|---|
| DIS. M. PALMA<br>17-9-2004            | CONT. R. MARTINI<br>17-9-2004 | AMP<br>AMP ITALIA S.p.A.<br>Corso F.lli Cervi, 15<br>COLLEGGNO (TORINO) |
| (DESCRIPTION) 2 POS TAB AMP SUPERSEAL |                               | 1.5 SERIES WITH CLOSED CAVITIES   |
| LOC. SIZE NUMERO<br>(LGS. NO)         | REV.                          | FOGLIO<br>(SHEET)   |
| I A3 C-1745022 A1                     | 1                             | 01  |

|      |                                |                     |
|------|--------------------------------|---------------------|
| REV. | REVISIONI<br>(REVISION RECORD) | DIS. DATA<br>(DATE) |
| A1   | RELEASED FOR ECR-05-00560      | M.P. 05             |
| A    | FIRST ISSUE E100-0190-04       | M.P. 04             |

DISTRIBUZIONE  
(PRINT DIST.)