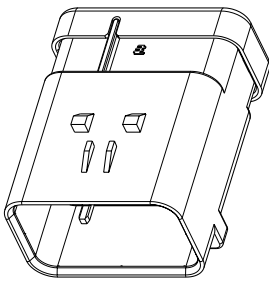
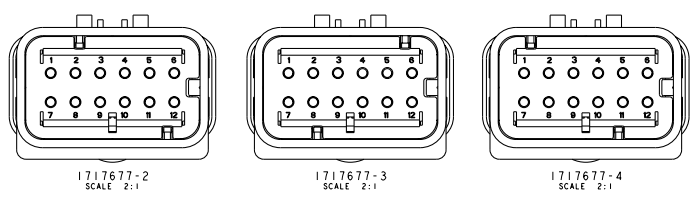
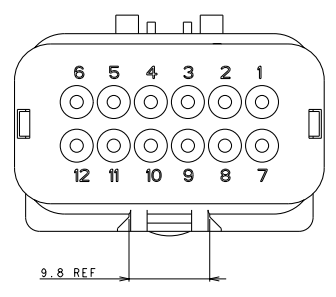
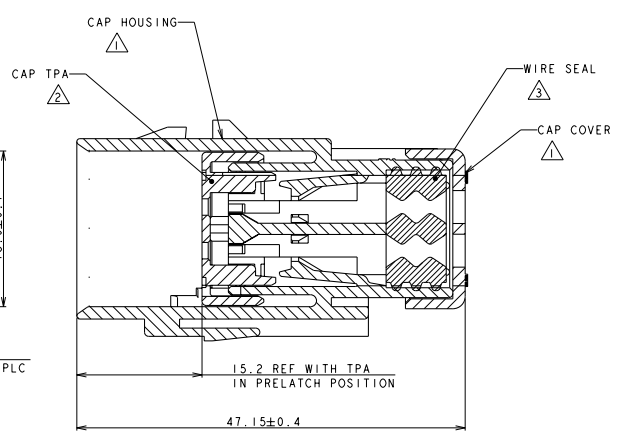
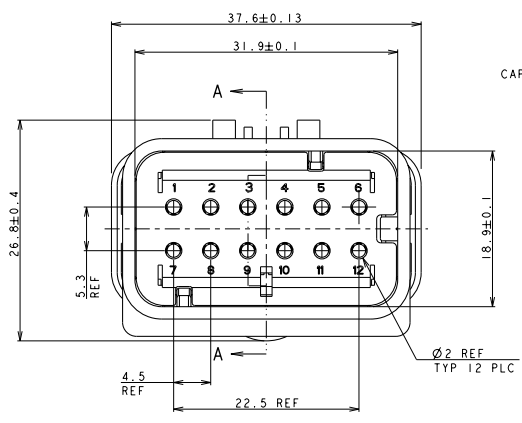


REVOLUTIONS		DATE	BY	APPROV
P	LYA			
C	I	REVISED PER ECR-10-019377	30SEP2010	HMR T.M



△ MATERIAL: 15% GLASS FILLED THERMOPLASTIC
 COLOR: BLACK
 △ MATERIAL: 15% GLASS FILLED THERMOPLASTIC
 COLOR: (SEE TABLE)
 △ MATERIAL: SILICONE
 COLOR: YELLOW
 4. WIRE INSULATION RANGE: $\varnothing 2.24$ - $\varnothing 3.94$



GREEN	1717677-4
YELLOW	1717677-3
GRAY	1717677-2
RED	1717677-1
TPA COLOR	PART NUMBER

TYCO ELECTRONICS CORPORATION		DATE	15JAN2004	 Tyco Electronics Corporation Kawasaki, Japan
DRAWN BY		Y. AAIIO	15JAN2004	
CHECKED BY		S. MANABE	15JAN2004	CAP ASSY, 12 POS. BRACKET REVERSE TYPE AMP SEAL 16
APPROVED BY		S. MANABE	15JAN2004	
APPLICATION SPEC		114-13065	SHEET	A200779
WEIGHT			C=	1717677
CUSTOMER DRAWING			SCALE	3:1
			SHEET	1 OF 1
			REV	C1