

4

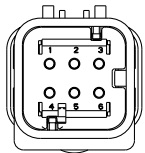
3

2

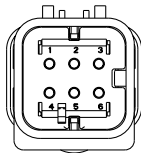
1

THIS DRAWING IS UNPUBLISHED. RELEASED FOR PUBLICATION 2004
 BY TYCO ELECTRONICS CORPORATION. ALL INTERNATIONAL RIGHTS RESERVED.
 COPYRIGHT 2004

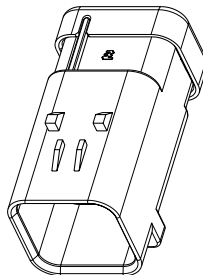
REV	DATE	BY	APPD
C1	30SEP2010	HMR	T.M
REVISIONS			
DESCRIPTION			
REVISED PER ECR-10-019377			



1717675-2
SCALE 2:1



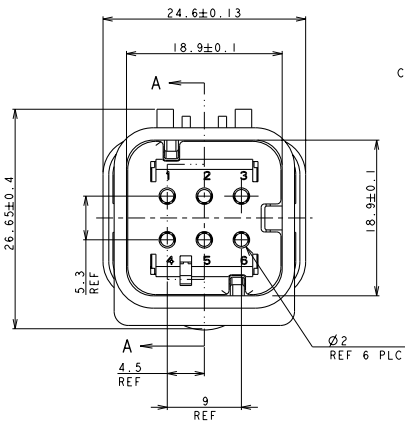
1717675-3
SCALE 2:1



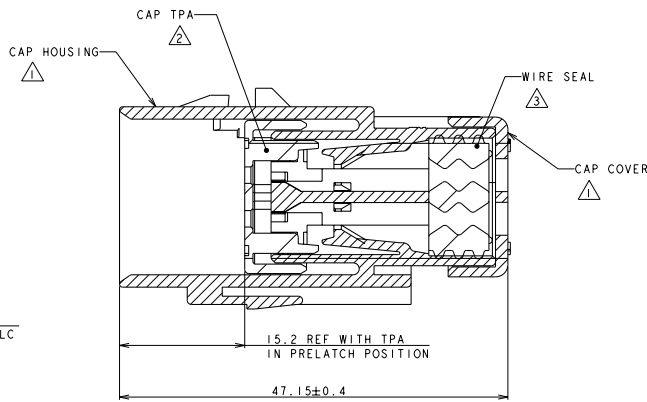
SCALE 2:1

- △ MATERIAL: 15% GLASS FILLED THERMOPLASTIC
COLOR: BLACK
- △ MATERIAL: 15% GLASS FILLED THERMOPLASTIC
COLOR: (SEE TABLE)
- △ MATERIAL: SILICONE
COLOR: RED

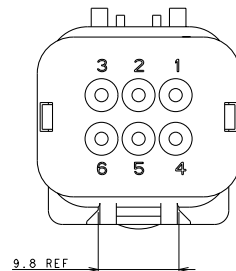
4. WIRE INSULATION RANGE: $\varnothing 2.24 - \varnothing 3.94$



1717675-1 SHOWN



A - A
OPEN POSITION



YELLOW	1717675-3
GRAY	1717675-2
RED	1717675-1
TPA COLOR	PART NUMBER

DIMENSIONS: mm		OWN: Y. AAIIO	DATE: 15JAN2004	 Tyco Electronics Corporation Kawasaki, Japan
MATERIAL: 0 PLC, 1 PLC, 2 PLC, 3 PLC, 4 PLC, 5 PLC, 6 PLC, 7 PLS, 8 PLS, 9 PLS		CHK: S. MANABE	DATE: 15JAN2004	
FINISH: *		APPD: S. MANABE	DATE: 15JAN2004	CAP ASSY. 6 POS. BRACKET REVERSE TYPE AMP SEAL 16
WEIGHT:		APPLICATION SPEC	PRODUCT SPEC	
CUSTOMER DRAWING		SHEET: A200779	CASE CODE: C=1717675	
SCALE: 3:1		SHEET 1 OF 1		RESTRICTED TO