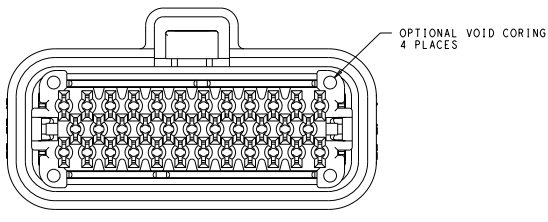
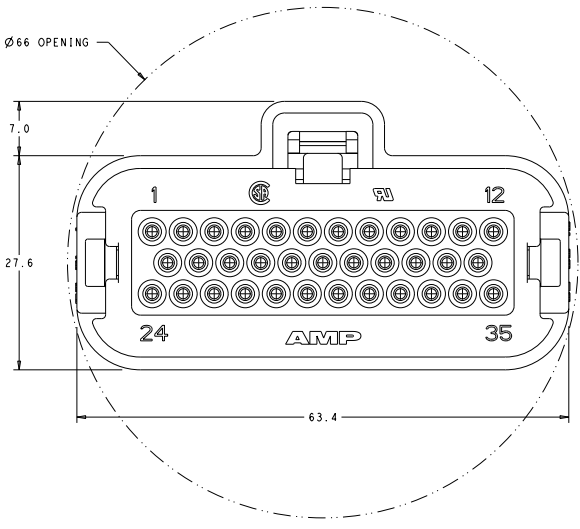
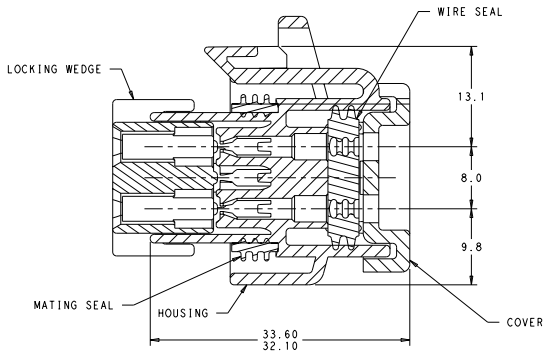


8	7	6	5	4	3	2	1
DATE REVISIONS TO BE IMPLEMENTED	REVISIONS FOR PUBLICATION						
COMPONENT NO.	ALL RIGHTS RESERVED						

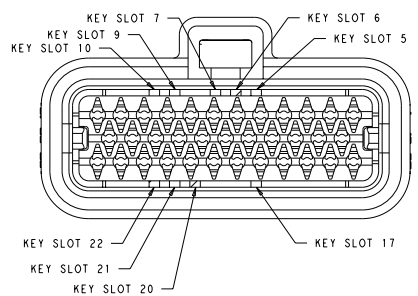
REV	DATE	DESCRIPTION	BY	CHK	APP
E1		REVISED PER ECO-11-011612	BLUMHART	DLD	DLD
E2		REVISED PER ECO-11-013055	BLUMHART	DLD	DCS

△ HOUSING COLORS ARE MECHANICALLY KEYPED TO MATE WITH IDENTICALLY COLORED HEADER ASSEMBLIES.

ASSEMBLY WILL PASS THRU Ø66 OPENING



BOTTOM VIEW WITH LOCKING WEDGE  
SCALE 3:1



KEY SLOT LOCATIONS  
SCALE 3:1

7 & 22	776164-6
5, 10 & 22	776164-5
9 & 21	776164-4
7 & 17	776164-2
6 & 20	776164-1
KEY SLOT LOCATION (SEE VIEW ABOVE)	PART NUMBER

COVER	WIRE SEAL	MATING SEAL	LOCKING WEDGE	△ HOUSING	PART NUMBER
GLASS FILLED PBT, BLACK	SILICONE RUBBER, RED	SILICONE RUBBER, RED	PBT, RED	PBT, ORANGE	776164-6
				PBT, BLUE	776164-5
				PBT, GRAY	776164-4
				PBT, NATURAL	776164-2
				PBT, BLACK	776164-1

THIS DRAWING IS A CONTROLLED DOCUMENT. DATE: 08/23/09 BY: STRAUSS/SEP2009

REVISIONS: 108-1329 (REVISED FOR DOC) 036-18816 (REVISED FOR DOC)

STE TE Connectivity

PLUG ASSEMBLY, 35 POSITION, AMPSEAL

SCALE CODE DRAWING NO: A100779 (776164)

CUSTOMER DRAWING