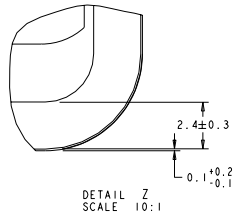
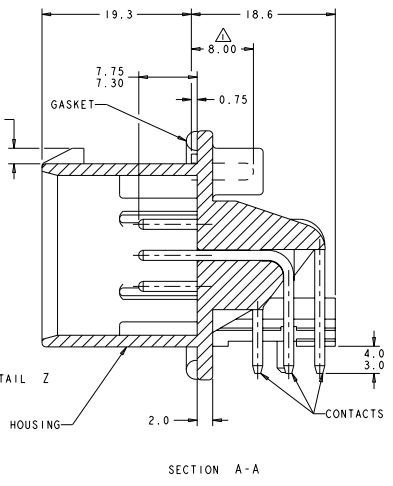
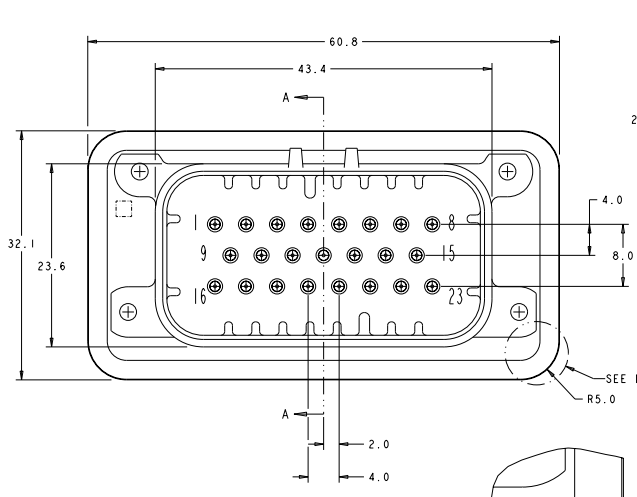
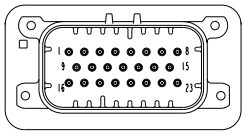
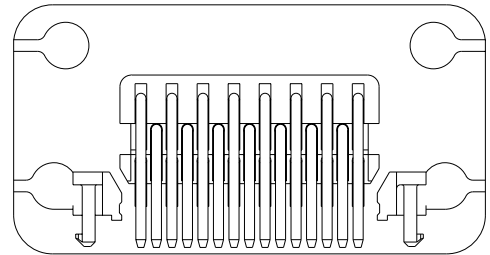


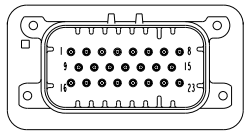
REV	DATE	DESCRIPTION	BY	CHK	APP
E4		REVISED PER ECO-11-005030			



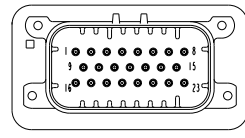
△ ACCEPTS #4 SELF TAPPING THREAD CUTTING SCREWS OR METRIC EQUIVALENT. DRIVE TO 0.6±0.2 N·m MAX.  
 △ HOUSING COLORS ARE MECHANICALLY KEYPED TO MATE ONLY WITH IDENTICALLY COLORED PLUG ASSEMBLIES.



776087-2 & 1-776087-2  
 KEY LOCATION AS SHOWN  
 SCALE 2:1



776087-4 & 1-776087-4  
 KEY LOCATION AS SHOWN  
 SCALE 2:1



776087-5 & 1-776087-5  
 KEY LOCATION AS SHOWN  
 SCALE 2:1

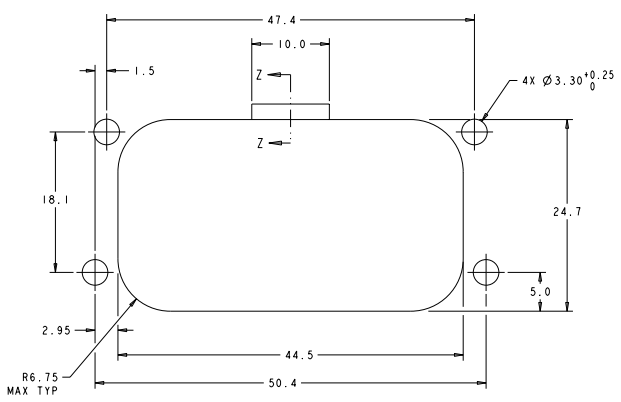
776087-1 & 1-776087-1  
 KEY LOCATION AS SHOWN

MATERIAL	MATERIAL	FINISH	MATERIAL	COLOR	PART NUMBER
SILICONE	BRASS	DURAGOLD	PBT	BLUE	1-776087-5
SILICONE	BRASS	DURAGOLD	PBT	GRAY	1-776087-4
SILICONE	BRASS	DURAGOLD	PBT	NATURAL (WHITE)	1-776087-2
SILICONE	BRASS	DURAGOLD	PBT	BLACK	1-776087-1
SILICONE	BRASS	TIN	PBT	BLUE	776087-5
SILICONE	BRASS	TIN	PBT	GRAY	776087-4
SILICONE	BRASS	TIN	PBT	NATURAL (WHITE)	776087-2
SILICONE	BRASS	TIN	PBT	BLACK	776087-1

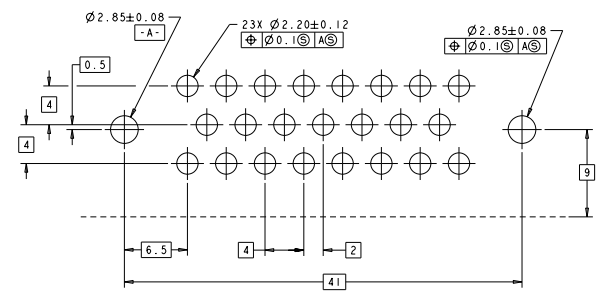
THIS DRAWING IS A CONTROLLED DOCUMENT. DATE: 31DEC2007 BY: MCELIN  
 DRAWING NO: 31DEC2007  
 REVISIONS: 31DEC2007  
 PROJECT NO: 31DEC2007  
 DRAWN BY: MCELIN  
 CHECKED BY: MCELIN  
 APPROVED BY: MCELIN  
 TITLE: CUSTOMER DRAWING  
 SCALE CODE: DRAWING NO: A | 00779 | 776087  
 SHEET: 4 | 1 | 2 | PAGE 4

**STE** TE Connectivity  
 HEADER ASSEMBLY,  
 23 POSITION, SNAP-IN,  
 AMPSEAL

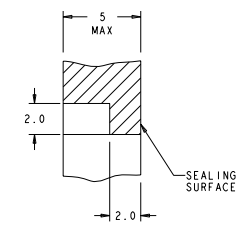
REV	DATE	DESCRIPTION	BY	CHK	APP
00		SEE SHEET 1			



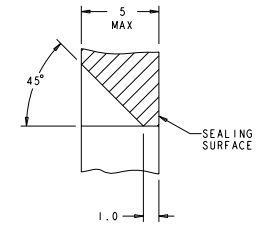
RECOMMENDED MOUNTING HOLE LAYOUT FOR 5.0 MAX THICK PANEL



RECOMMENDED P.C. BOARD LAYOUT FOR 1.57 THICK P.C. BOARD



SECTION Z-Z  
 OPTIONAL CONSTRUCTION IF THICKNESS IS GREATER THAN 2.0  
 SCALE 8:1



SECTION Z-Z  
 OPTIONAL CONSTRUCTION IF THICKNESS IS GREATER THAN 2.0  
 SCALE 8:1

THIS DRAWING IS A CONTROLLED DOCUMENT.		REV: 00	DATE: 21DEC2002	<b>STE</b> TE Connectivity
DESIGNED BY: [signature]	DESIGNED BY: [signature]	REV: 00	DATE: 21DEC2002	
DATE: 21DEC2002	DATE: 21DEC2002	REV: 00	DATE: 21DEC2002	TE CONNECTIVITY
DESCRIPTION: 23 POSITION SNAP-IN AMP SEAL	DESCRIPTION: 23 POSITION SNAP-IN AMP SEAL	REV: 00	DATE: 21DEC2002	TE CONNECTIVITY
SCALE: 8:1	SCALE: 8:1	REV: 00	DATE: 21DEC2002	TE CONNECTIVITY
CUSTOMER DRAWING	CUSTOMER DRAWING	REV: 00	DATE: 21DEC2002	TE CONNECTIVITY