

4

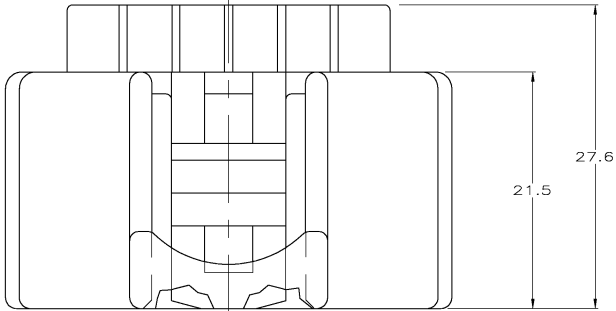
3

2

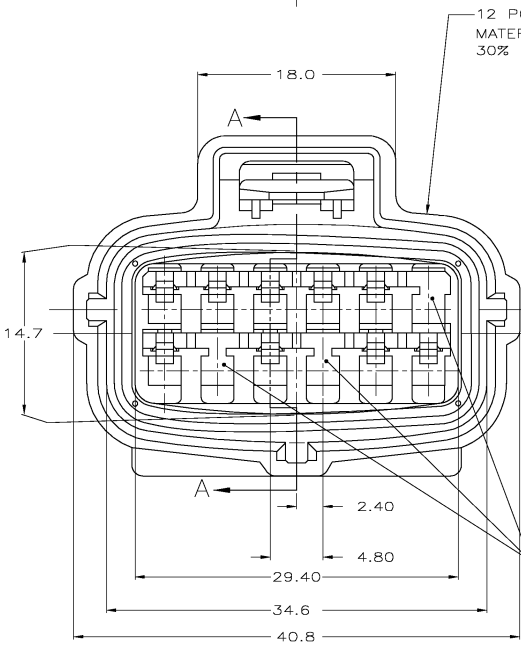
1

THIS DRAWING IS UNPUBLISHED. RELEASED FOR PUBLICATION
 © COPYRIGHT BY TYCO ELECTRONICS CORPORATION. ALL RIGHTS RESERVED.

LOC		DIST		REVISIONS			
P	LTR	DESCRIPTION	DATE	OWN	APPD	DATE	BY
GE	00						
	B1	ECR-05-002467		DBLUNDS	AH		KC

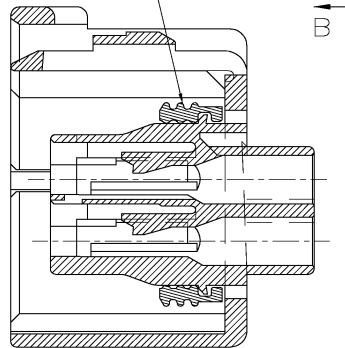


SECONDARY LOCK PLATE, P/N 184058-1, REQUIRED AS A SEPARATE COMPONENT.

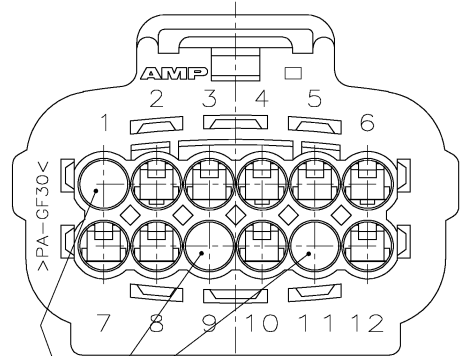


12 POSITION PLUG
 MATERIAL: 4/6 NYLON
 30% GLASS FILLED

SEAL RING
 MATERIAL:
 SILICONE RUBBER



THESE CIRCUITS
 BLOCKED
 (#1, #9, & #11)



THESE CIRCUITS
 BLOCKED

BLACK PLUG COLOR	184455-1
PART NUMBER	
tyco Electronics Tyco Electronics Corporation Harrisburg, Pa 17105-3608	
ASSEMBLY, SSC, 2X6, CLASS 3 CIRCUITS 1, 9 & 11 BLOCKED	
SEE DATE CODE	DRAWING NO
A2 00779	184455
CUSTOMER DRAWING	SCALE 4:1 SHEET 1 OF 1 REV B1

THIS DRAWING IS A CONTROLLED DOCUMENT.		DATE	21 JUNE 2004
DRAWN BY		JR BUSSARD	21 JUNE 2004
CHECKED BY		KL KREIDLER	21 JUNE 2004
APPROVED BY		KL KREIDLER	21 JUNE 2004
PRODUCT SPEC			
APPLICATION SPEC			
MATERIAL			
FINISH			
WEIGHT			