

4

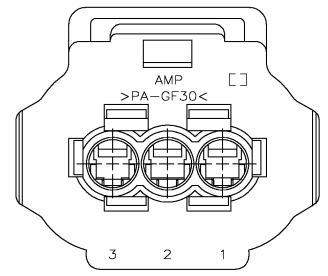
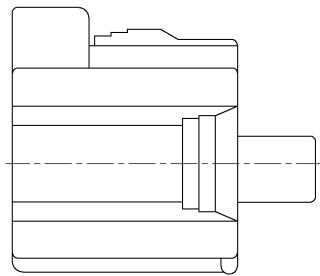
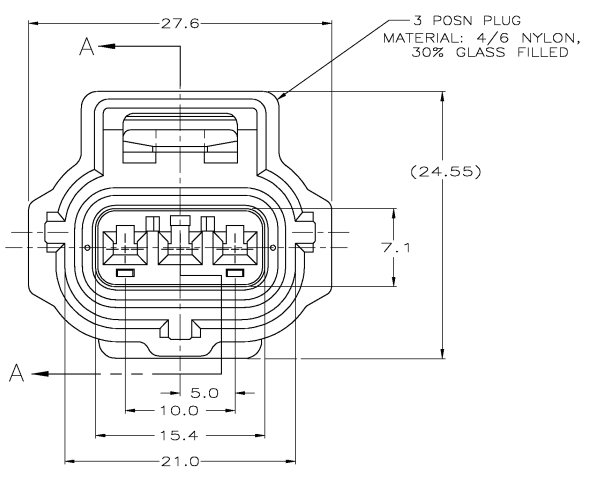
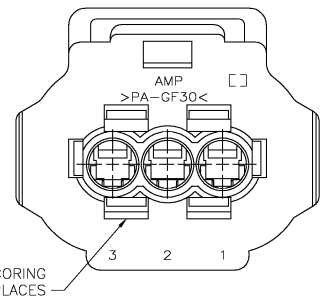
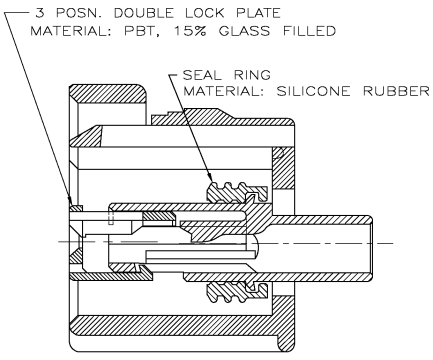
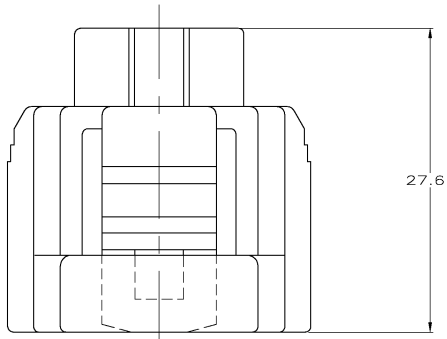
3

2

1

THIS DRAWING IS UNPUBLISHED. RELEASED FOR PUBLICATION
 © COPYRIGHT BY TYCO ELECTRONICS CORPORATION. ALL RIGHTS RESERVED.

LOC	DIST	REVISIONS			
P	LTR	DESCRIPTION	DATE	OWN	APPD
GE	00				
	C	REVISED PER EC 0K40-0387-04	19NOV2004	DLD	KLK



GRAY	184435-1
COLOR	PART NO

THIS DRAWING IS A CONTROLLED DOCUMENT.		DRN	15JAN02	 Tyco Electronics Corporation Horriaburg, PA 17105-3608	1 X 3 PLUG ASSEMBLY KEY A-C4
DIMENSIONS:		RL_COBLE	15JAN02		
MM		DK_COBLE	15JAN02		
TO TOLERANCE UNLESS OTHERWISE SPECIFIED		K_COBLE	15JAN02		
0 P.L.C.	± .3	PRODUCT SPEC		APPLICATION SPEC	
1 P.L.C.	± 0.3	WEIGHT		SEE CASE CODE	DRAWING NO
2 P.L.C.	± .1	FINISH		A2 00779	184435
3 P.L.C.	± .1			RESTRICTED TO	
4 P.L.C.	± .1			CUSTOMER DRAWING	
ANGLES	± .1°			SCALE	4:1
				SHEET	1 OF 1
				REV	C

AMP 1471-9 REV 31MAY2000
 18FEB2002 12:20pm AMP12184

184435

A