

4

3

2

1

THIS DRAWING IS UNPUBLISHED. RELEASED FOR PUBLICATION. BY TYCO ELECTRONICS CORPORATION. ALL INTERNATIONAL RIGHTS RESERVED.

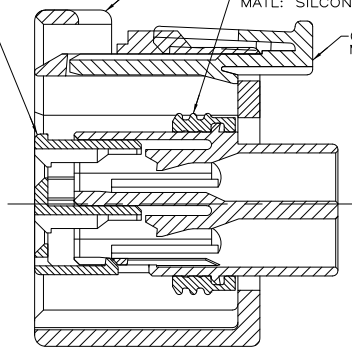
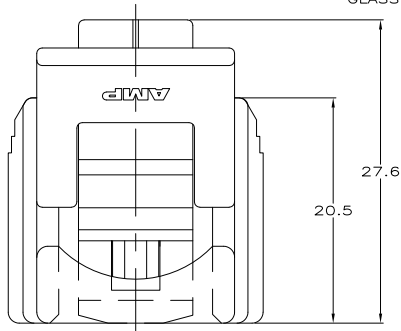
LOC	DIST	REVISIONS		DATE	BY	APP'D
GE	00	F	LR			
		H		REVISED PER ECO-09-008507	09APR2009	DD MB

DBL LOCK PLATE
MAT'L: PBT, 15%
GLASS FILLED

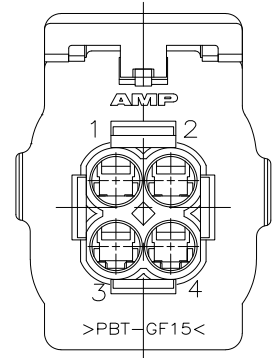
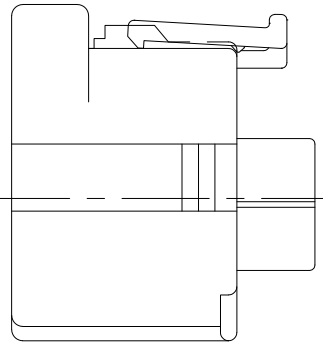
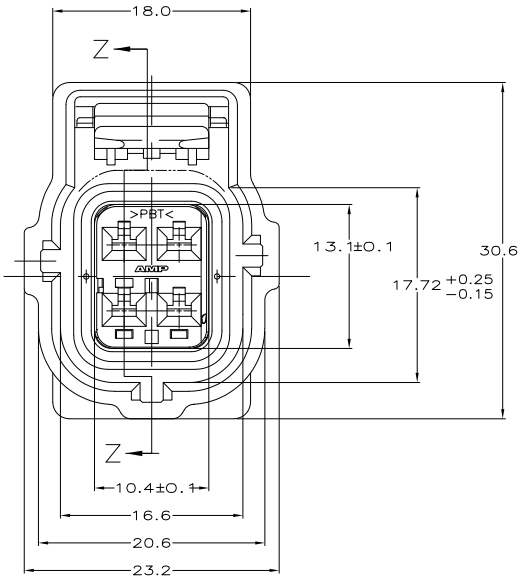
PLUG HOUSING
MAT'L: PBT, 15% GLASS FILLED

SEAL RING
MAT'L: SILICONE RUBBER

CPA
MAT'L: PBT



SECTION Z-Z
SCALE 4:1



BLACK	184344-1
PLUG COLOR	PART NUMBER

THIS DRAWING IS A CONTROLLED DOCUMENT.		DRN	P. YEAGER	03AU999	Tyco Electronics Corporation Harrisburg, PA 17105-3608
		CHK	G. INHOFFER	03AU999	
		APP'D	G. INHOFFER	03AU999	NAME
		PRODUCT SPEC			2 X 2 PLG ASY KEY A-C3 W/CPA
		APPLICATION SPEC			SIZE
		WEIGHT			A2 00779 C=184344
		CUSTOMER DRAWING			SCALE 4:1 SHEET 1 of 1 REV H

1471-9 (1/08)

184344

A