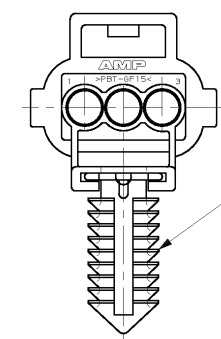
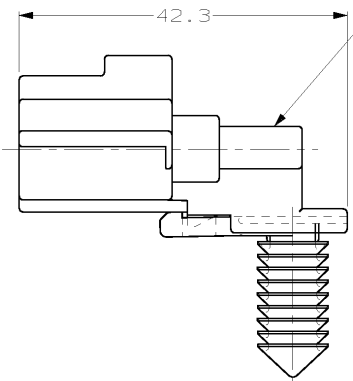
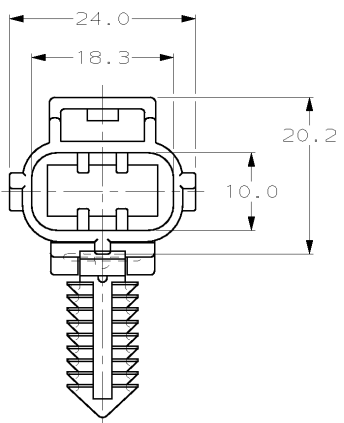
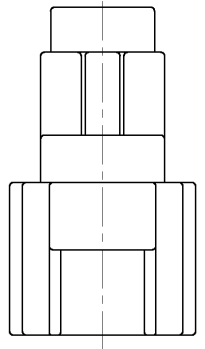


THIS DRAWING IS UNPUBLISHED. RELEASED FOR PUBLICATION .19
 © COPYRIGHT 19 BY AMP INCORPORATED. ALL RIGHTS RESERVED.

LOC	DIST	REVISIONS				
P	LTR	DESCRIPTION	DATE	DWN	APVD	
G	16	0	INITIAL RELEASE	12-17-98	KL	-

⚠ RETAINER FUNCTIONS IN $\phi 7.95$ HOLE IN 0.56 TO 5.10 THICK MATERIAL.



3 POSITION END CAP
 MATERIAL: PBT, 15% GLASS FILLED
 FINISH: BLACK

RETAINER ⚠
 MATERIAL: NYLON
 FINISH: NATURAL

184319-1
 PART NUMBER

THIS DRAWING IS A CONTROLLED DOCUMENT.		DWN	12-17-98	AMP AMP Incorporated Harrisburg, PA 17105-3608
		CHK	01-13-99	
DIMENSIONS:		NAME		END CAP HSG. ASSY, SSC 3 POSN A KEY
mm		JP KUNKLE		
TOLERANCES UNLESS OTHERWISE SPECIFIED:		PRODUCT SPEC		RESTRICTED TO
0 PLC	±-	APPLICATION SPEC		SIZE
1 PLC	±0.3	-		CAGE CODE
2 PLC	±-	-		DRAWING NO
3 PLC	±-	-		WEIGHT
4 PLC	±-	-		SCALE
ANGLES	±-	-		SHEET
MATERIAL	PBT	FINISH		REV
	15% GLASS FILLED	BLACK		0
		CUSTOMER DRAWING		