

4

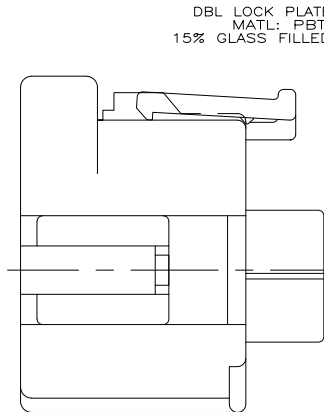
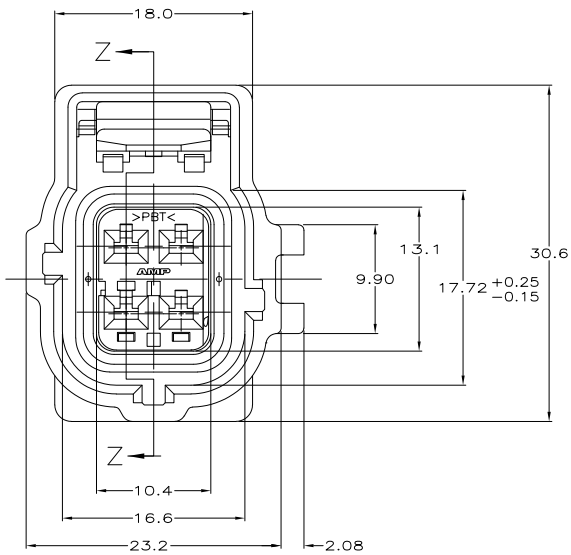
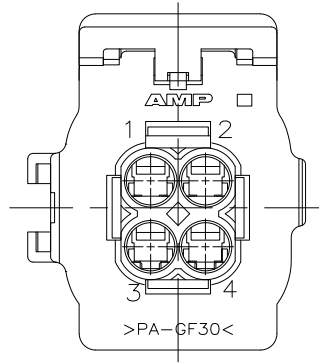
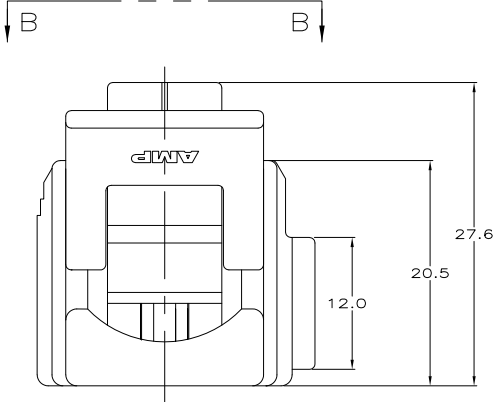
3

2

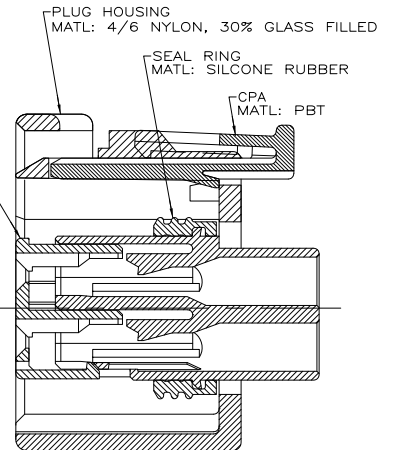
1

THIS DRAWING IS UNPUBLISHED. RELEASED FOR PUBLICATION.
 BY TYCO ELECTRONICS CORPORATION. ALL INTERNATIONAL RIGHTS RESERVED.

LOC		DIBT		REVISIONS			
GE	00	F	LR	DESCRIPTION	DATE	BY	APPD
		G		REVISED PER ECO-09-008507	09APR2009	DD	MB



DBL LOCK PLATE
 MATL: PBT,
 15% GLASS FILLED



SECTION Z-Z
 SCALE 4:1

BLACK	184297-1
PLUG COLOR	PART NUMBER

THIS DRAWING IS A CONTROLLED DOCUMENT.		DRW	06/12/97	Tyco Electronics Corporation Harrisburg, PA 17105-3608
DIMENSIONS: mm		CKD	06/13/97	
TOLERANCES UNLESS OTHERWISE SPECIFIED:		CT	06/13/97	2 X 2 PLG ASY KEY C-C4 W/MULT
0 PLC ± .1		CT HYBR		
1 PLC ± 0.3		APPC		SIZE CASE CODE DRAWING NO
2 PLC ± 0.15		CT HYBR		A2 00779 C=184297
3 PLC ± .1		PRODUCT SPEC		RESTRICTED TO
4 PLC ± .1		APPLICATION SPEC		
ANGLES ± .1		WEIGHT		CUSTOMER DRAWING
FINISH				SCALE 4:1 SHEET 1 of 1 REV G