

4

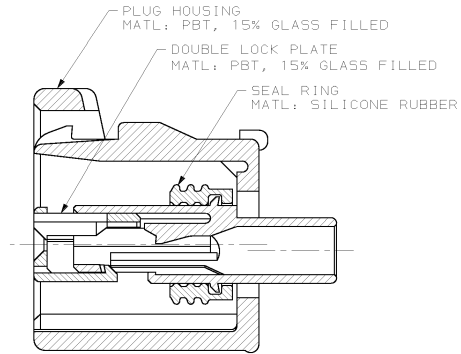
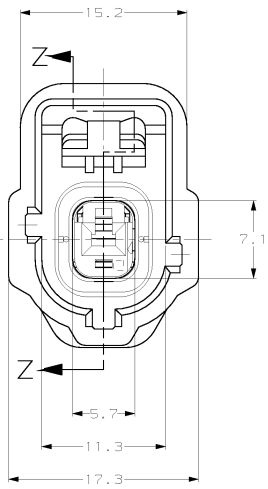
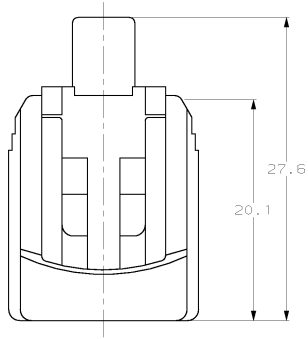
3

2

1

THIS DRAWING IS UNPUBLISHED. RELEASED FOR PUBLICATION
 (C) COPYRIGHT 19 BY AMP INCORPORATED. ALL RIGHTS RESERVED.

LOC	QTY	REVISIONS			
REV	DATE	DESCRIPTION	DATE	BY	APPD
GE	00				
A		REV PER ECN 0K40-0218-99	09/09/99	KL	MM



GRAY	184294-1
PLUG COLOR	PART NUMBER

THIS DRAWING IS A CONTROLLED DOCUMENT.		DATE: 05/05/97	AMP	AMP Incorporated
DRAWN BY: J. WISE		DATE: 06/15/97		Harrisburg, PA 17105-3608
CHECKED BY: E. OSWALD		DATE: 06/15/97	NAME: E. OSWALD	
PROJECT SPEC: -		APPLICATION SPEC: -	PLUG ASSY, 1 POSN, KEY C	
MATERIAL: -		WEIGHT: -	SIZE: A2	CASE CODE: 00779
FINISH: -		CUSTOMER DRAWING	SCALE: 4:1	SHEET: 1 OF 1
			REV: A	RESTRICTED TO: -

184294

A