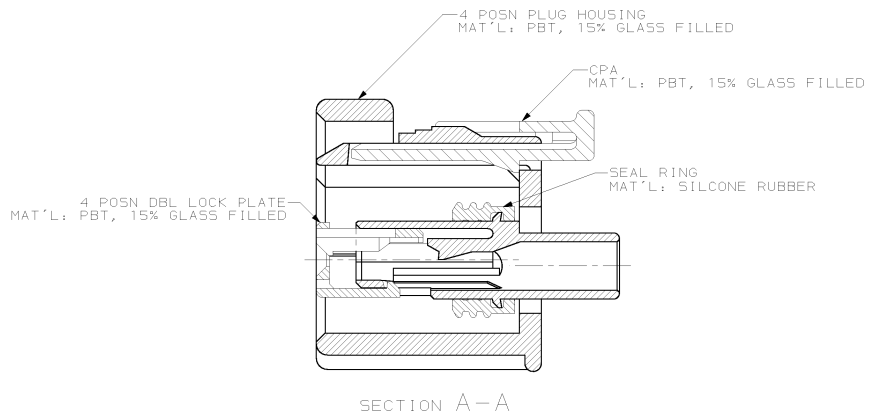
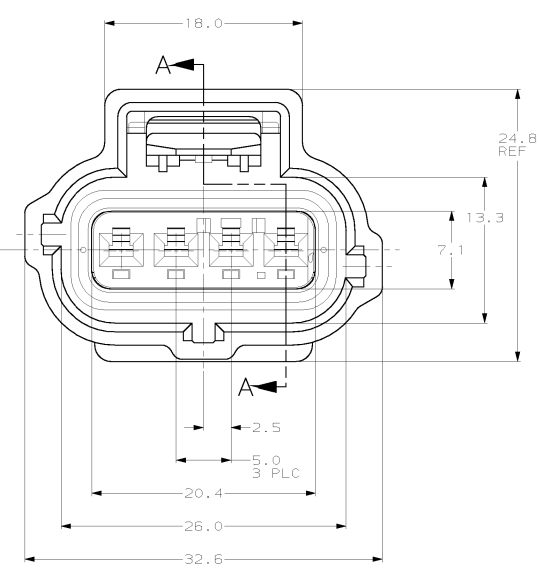
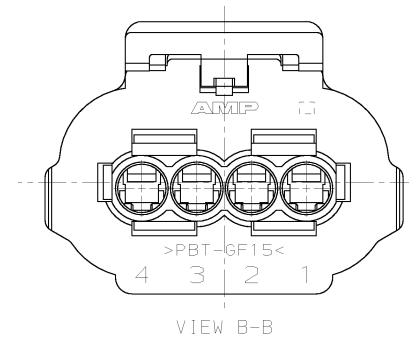
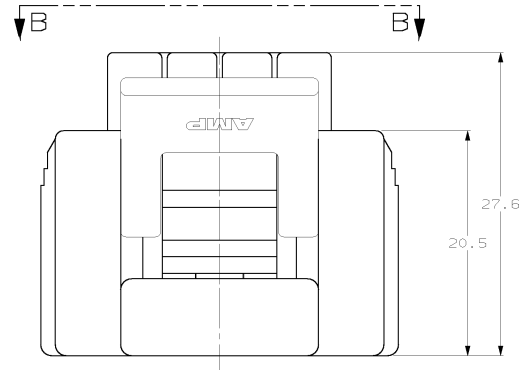


4 3 2 1

THIS DRAWING IS UNPUBLISHED. RELEASED FOR PUBLICATION
 (C) COPYRIGHT 19 BY AMP INCORPORATED. ALL RIGHTS RESERVED.

REV. NO.		REV. DATE		REVISIONS	
NO.	DATE	DESCRIPTION	DATE	BY	CHKD.
0	05/23/98	RELEASED, WAS 95-4072-085-1	05/23/98	KW	CH
A	07-10-00	REV PER EC# 0K40-0138-00	07-10-00	PC	GI



SECTION A-A

184274-1
 PART NUMBER

DIMENSIONS UNLESS OTHERWISE SPECIFIED, DIMENSIONS ARE IN MILLIMETERS.		DATE: 05/23/98 BY: K.WISE CHECKED: G. HYER DATE: 06/30/98	AMP AMP Incorporated Harrisburg, PA 17105-3608
OPERATIONS FINISH: - TOLERANCES: - DIMENSIONS: - ANGLES: - FILLS: -	DIMENSIONS: - TOLERANCES: - DIMENSIONS: - ANGLES: - FILLS: -	APPLICATION SPEC: - WEIGHT: - CUSTOMER DRAWING: -	1 X 4 PLG ASY KEY B-C3 W/CPA SIZE: A2 00779 DATE: 07/10/00 DRAWING NO: ©=184274 SCALE: 4:1 SHEET: 1 OF 1 REV: A

AMP 1471-9 REV 10/93
 03 JUN 1996 10:09:29 AMP330844J51284-OEPT1135-U, SENGOR-U, 4POSNU, ASSY-U, OUST-U, CURR

184274