

4

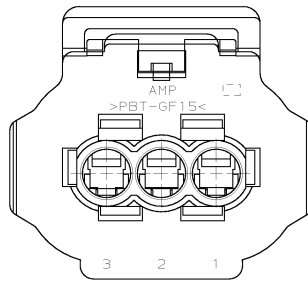
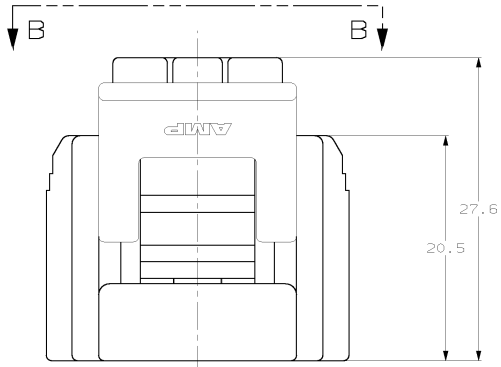
3

2

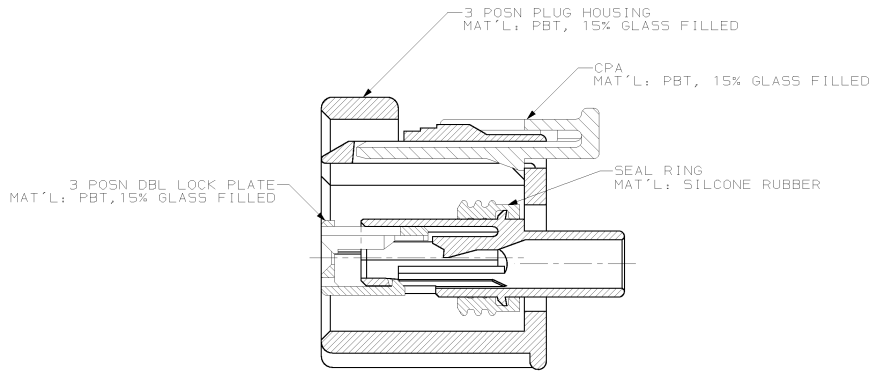
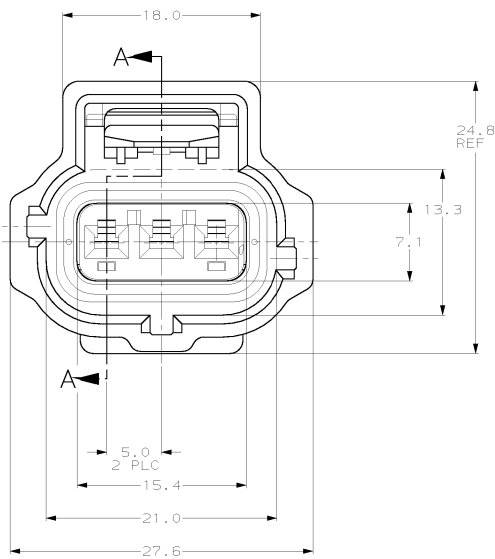
1

THIS DRAWING IS UNPUBLISHED. RELEASED FOR PUBLICATION. (C) COPYRIGHT 19 BY AMP INCORPORATED. ALL RIGHTS RESERVED.

REVOLUTION		DESCRIPTION	DATE	BY	APP'D
G	16				
A		REVISED PER EC OK20-0013-98	10/09/98	PY	MM
B		REV PER EC# OK40-0137-00	7-7-00	PC	GI



VIEW B-B



SECTION A-A

184272-1  
PART NUMBER

<small>NOT WITHIN TOLERANCE SPECIFICATION FOR DIMENSIONS UNLESS OTHERWISE SPECIFIED.</small>		DATE: 05/24/98 BY: K WISE CHECKED: 06/30/98 DATE: 06/30/98	AMP Incorporated Harrisburg, PA 17105-3608
OPERATIONS: #1 	DIMENSIONS UNLESS OTHERWISE SPECIFIED: D: 2 PLC F: 2 PLC S: 2 PLC H: 2 PLC ANGLES: #1* FINISH: -	APPLICATION SPEC: WEIGHT: CUSTOMER DRAWING	1 X 3 PLG ASY KEY C-C3 W/CPA SIZE: A2 00779 DATE CODE: ©=184272 MARKING: 4:1 SCALE: 1 1/2 SHEET: 1 REV: B

AMP 1471-9 REV 10/93

03 JUN 1996 09:38:05 AMP330844J51284-OEPT1135-U, SENGOR-U, 3POSNU, ASSY-U, OUST-U, CURR

184272

A