

4

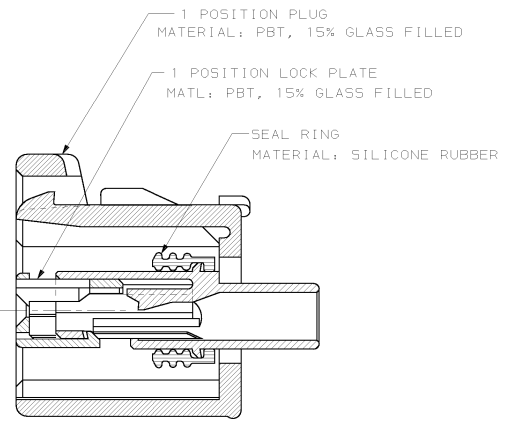
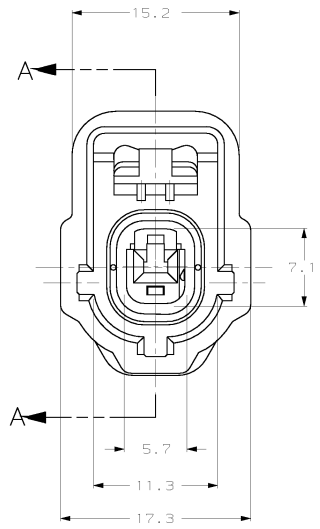
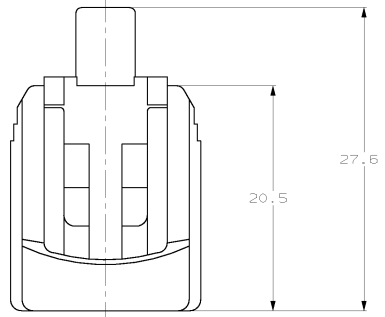
3

2

1

THIS DRAWING IS UNPUBLISHED. RELEASED FOR PUBLICATION
 (C) COPYRIGHT IS BY AMP INCORPORATED. ALL RIGHTS RESERVED.

REV. NO.		REVISIONS			
NO.	DATE	DESCRIPTION	DATE	BY	APP'D.
G	16				
B		REV PER ECN 0K40-0218-99	09NOV99	KL	MH



SECTION A-A

BLACK PLUG COLOR	184240-1 PART NUMBER
------------------	----------------------

<small>NOT REPAIR OR REWORK UNLESS SPECIFICALLY AUTHORIZED BY AMP INCORPORATED.</small> <small>REWORK SHALL BE MARKED BY THE REWORKER.</small>		DATE: 04/18/98 BY: LYLE DATE: 06/02/98 BY: KUNLE DATE: 06/02/98 BY: PLANKLE	AMP AMP Incorporated Harrisburg, PA 17105-3608
DIMENSIONS: UNLESS OTHERWISE SPECIFIED: ALL DIMENSIONS ARE IN MILLIMETERS.	TOLERANCES UNLESS OTHERWISE SPECIFIED: F FRC ±0.3 M FRC ±0.1 H FRC ±0.1 ANGLES ±1° FINISH -	APPLICATION SPEC: WEIGHT: CUSTOMER DRAWING	1 POSITION PLUG ASSY. KEYING TYPE B SIZE: A2 00779 DATE: 11/11/99 DRAWN: 11/11/99 REV: B

AMP 1471-9 REV 10/93
 11-NOV-99 10:24:02 amp24764/home/amp24764/edmod

184240